



FUEL MANAGEMENT SYSTEMS



DISPENSERS



KITS



PUMPS



METERS



NOZZLES

GASOLINE FILTER E25



FEATURES

- REPLACEABLE CARTRIDGE
- HIGH FILTRATION EFFICIENCY
- COMPACT DESIGN
- ATEX CERTIFICATION ZONE 2

Spin-on filter designed to ensure fuel quality and optimize system performance. This ATEX (Zone 2) certified cartridge filter is ideal for applications with gasoline up to E25 and diesel up to B20, offering effective filtration against solid contaminants and water

PERFORMANCE

UP TO

70 L/MIN

FLOW RATE

12 BAR

MAX

OPERATING PRESSURE

85%

EFFICIENCY



GASOLINE FILTER E25 WITH FILTER HEAD



PACKAGING

CODE	WEIGHT	DIMENSIONS MM	PACKAGING	
	KG		CARTRIDGE PSC / BOX	FILTER HEAD PCS/BOX
F26169010	2,8	390X140X290	2	1
F26169000	11,2	405X230X315	12	-



FILTRATION



TANK MONITORING



HOSE REEL



ACCESSORIES



MERCHANDISE

PIUSI



ANY BIODIESEL



AIR



ANTIFREEZE



AdBlue®



BIODIESEL



DIESEL



FOOD



GASOLINE



GREASE



KEROSENE



OIL



WATER



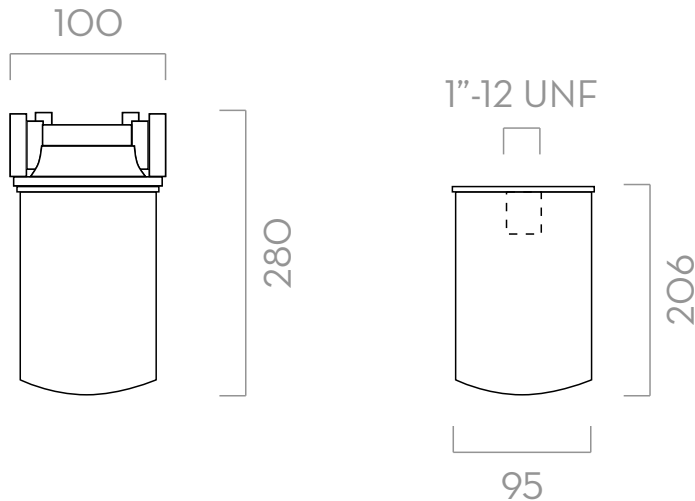
WINDSCREEN

PRODUCTS



CARTRIDGE GASOLINE FILTER E25

DIMENSIONS



Dimensions expressed in millimeters

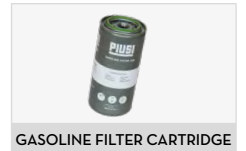
IN THE BOX

- FILTER HEAD
- GASOLINE FILTER E25 CARTRIDGE

DETAILS



FILTER HEAD



GASOLINE FILTER CARTRIDGE



FKM SEALS, VITON®



ATEX APPROVED

MATERIALS

- FILTER: ABSORBENT FILTERING PAPER

TECHNICAL DATA

CODE	DESCRIPTION	FLUIDS TYPE	FLOW RATE		INLET / OUTLET	WATER ABSORBING	EFFICIENCY	MICRO	MAX PRESSURE
			L/MIN	GPM					
F26169010	(EX) GASOLINE FILTER:E25 HEAD & 2 CARTD	D G	70	18,5	1"	YES	85%	10	12
F26169000	(EX) GASOLINE FILTER:E25 CARTD 12 PCS	D G	70	18,5	-	YES	85%	10	12