



FUEL MANAGEMENT SYSTEMS



DISPENSERS



KITS



PUMPS



METERS



NOZZLES

PANTHER EX 56 DRUM

FEATURES

- STURDY STRUCTURE
- FLANGED COMPONENTS
- HIGH FLOW RATE
- HEAVY-DUTY USE
- CONTINUOUS DUTY
- MAGNETIC SWITCH

PIUSI PANTHER EX 56 DRUM is a complete transfer kit expressly designed for ATEX/IECEx compliance. Thanks to the flanged components, this transfer kit allows the replacement of any component without the use of sealants, ensuring maximum versatility and adaptability to any type of condition.



PERFORMANCE

UP TO
56 L/MIN

FLOW-RATE

1100 MM

SUCTION PIPE

±1%

ACCURACY

10µm (85%)

FILTERING CAPACITY



**PANTHER EX 56 DRUM
FO0582000**



**PANTHER EX 56 DRUM
FO0582010**

OUR PUMPS COMPLIES WITH THE FOLLOWING MARKING ATEX/IECEx

II	2	G	Ex	d	IIA	T4	Gb
GROUP	CATEGORY	TYPE OF EXPLOSIVE ATMOSPHERE	PERMANENT PREFIX	PROTECTION METHOD	GAS GLASS	TEMPERATURE CLASS	EQUIPMENT PROTECTION LEVEL

PACKAGING

CODE	WEIGHT		PACKAGING		
	KG	LBS	MM	INCH	PCS/BOX
FO0582000	18,3	40,3	400X240X300	15,7X9,4X11,8	1
FO0582010	21	46,2	400X240X300	15,7X9,4X11,8	1





FILTRATION



TANK MONITORING



HOSE REEL



ACCESSORIES



MERCHANDISE

PIUSI



ANY BIODIESEL



AIR



ANTIFREEZE



AdBlue®



BIODIESEL



DIESEL



FOOD



GASOLINE



GREASE



KEROSENE



OIL



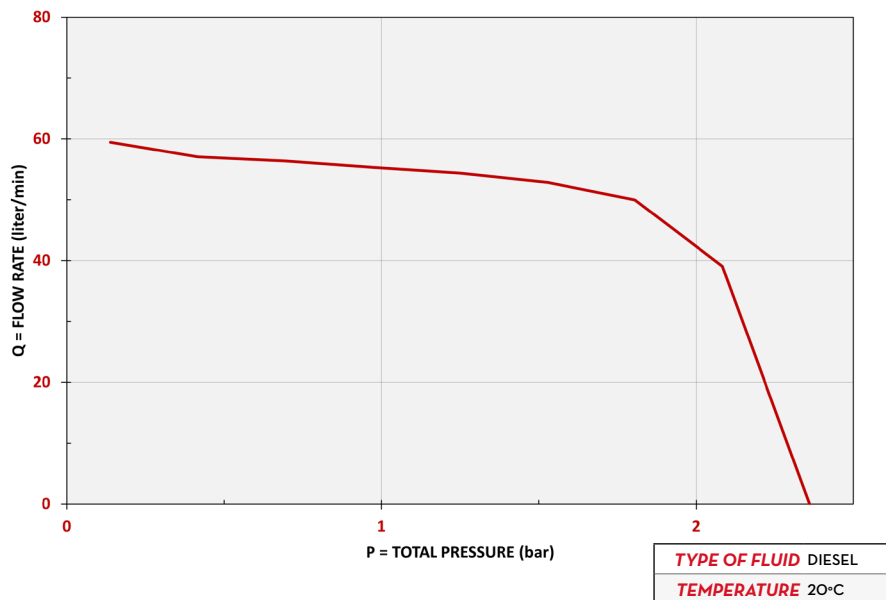
WATER



WINDSCREEN

CHART

PANTHER EX 56



IN THE BOX

- TELESCOPIC SUCTION PIPE
- BUNG ADAPTER 2"
- PANTHER EX 56 PUMP
- K33 ATEX METER (ON SELECTED VERSION)
- GASOLINE FILTER E25 ATEX
- DELIVERY HOSE
- A60 ATEX AUTOMATIC NOZZLE
- INSTRUCTION MANUAL

DETAILS



AUTOMATIC NOZZLE A60 ATEX



GASOLINE FILTER E25 ATEX

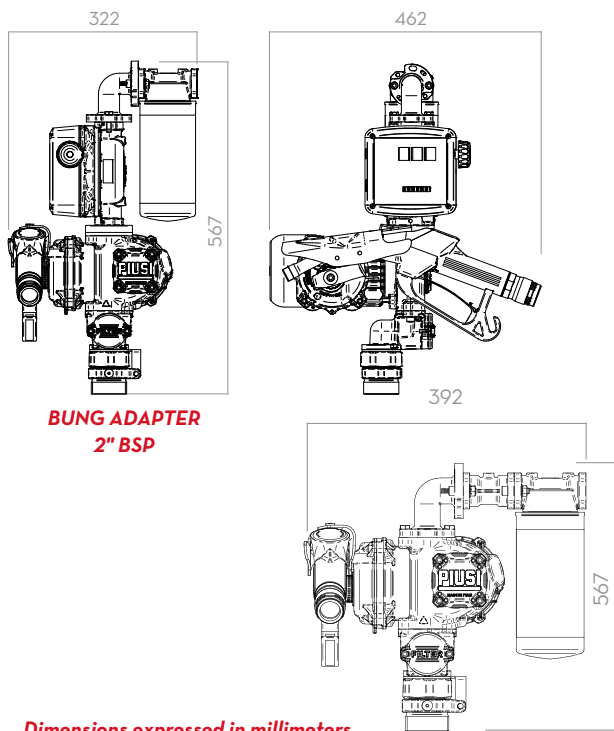


BENDING PROTECTION



TELESCOPIC PIPE

DIMENSIONS



**BUNG ADAPTER
2" BSP**

**BUNG ADAPTER
2" BSP**

Dimensions expressed in millimeters

TECHNICAL DATA

CODE	DESCRIPTION	FLUIDS TYPE	FLOW RATE		VOLTAGE			METER	NOZZLE	FILTER	DELIVERY HOSE	
			L/MIN	GPM	AC V/Hz	POWER WATT	AMP. MAX.				GASOLINE FILTER E 25 ATEX	LENGTH (M)
FO0582000	(EX) DRUM PANTHER EX 56 230V/50 AUTO/F		56	15	230V/50HZ	500	2.3	-	A60 ATEX	YES	4	20
FO0582010	(EX) DRUM PANTHER EX 56 230V/50 K33 AUT/F		56	15	230V/50HZ	500	2.3	K33 ATEX	A60 ATEX	YES	4	20

(*) AVAILABLE WITH DIFFERENT VOLTAGES AND 60 HZ FREQUENCIES.