



Common Applications

- To Be Used With Pumps
- Gravity Feed Applications
- Alcohol
- Solvents
- Gasoline
- Aqueous Ammonia
- Petroleum Products
- Nitric Acid

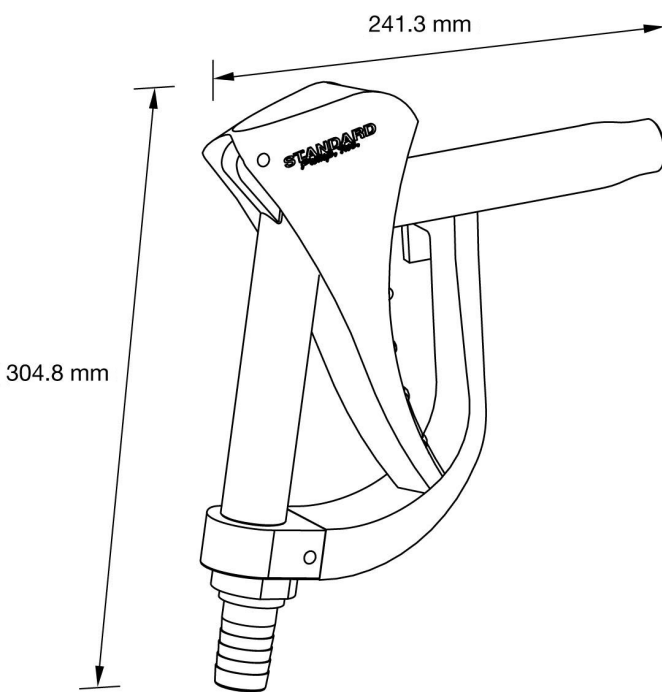
Features

- Ergonomic Design
- Swivel Hose Barb Connection
- Unique Sealing System
- Available with 3/4" (19 mm) or 1" (25 mm) Hose Barb Intake
- Mounting Hook
- Low Pressure Loss

Technical Specifications

Wetted Material:.....SS316
Seal Material:.....Viton®
Maximum Inlet Pressure:.....120 psi (8,3 bar)*
Maximum Temperature: 80° C
Maximum Viscosity:800 cps (mPas)

**NOTE: Consult factory regarding applications that require a higher inlet pressure.*



Model	Seals	Intake
9095	Viton®	1" (25 mm) Hose Barb
9096	Viton®	3/4" (19 mm) Hose Barb

⚠ WARNING: Prior to use, confirm chemical compatibility with the hand nozzles wetted material and seal material.