



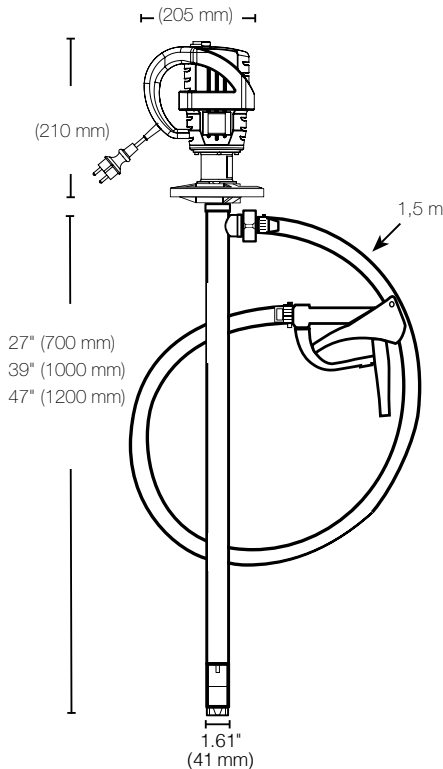
Engineered for transferring corrosive chemicals associated with the water treatment industry. Robust Polypropylene offers excellent durability and chemical resistance against light to aggressive chemicals.  
Common applications include: Light oils, corrosion inhibitors and water additives.

## Technical Specifications

**Package Includes:**..... Motor, Pump Tube, Hose & Hand Nozzle  
**Motor Type:**..... 230V, IP44 (250W)  
**Pump Tube Material:**.....Polypropylene, Carbon, AISI 316  
**Immersion Length:**..... 27" (700 mm) 39" (1000 mm) or 47" (1200 mm)  
**Discharge Hose:** .....PVC, 5 ft (1,5 m), 3/4" (19 mm) I.D.  
**Hand Nozzle Material:** ..... Polypropylene, Viton or EPDM  
**Maximum Flow Rate:**..... 38 L/min *based on water*  
**Maximum Viscosity:** ..... 200 cps (mPas)  
**Maximum Temperature:** ..... 55°C  
**Shipping Weight:**..... (17 lbs.) 8 kg



## DRUM & IBC



| Package P/N | Motor    | Power | Pump Tube |
|-------------|----------|-------|-----------|
| SPEK-PPS-27 | SPE-250B | 250 W | SP-PPS-27 |
| SPEK-PPS-39 | SPE-250B | 250 W | SP-PPS-39 |
| SPEK-PPS-47 | SPE-250B | 250 W | SP-PPS-47 |



**Warning: This pump is not suitable for use with Flammable/Combustible liquids.**

\*Note: When pumping viscosities over 1,000 cps, pump must be used intermittently to avoid potential premature failure and/or damage.