



CAR FILLING



FUEL MANAGEMENT SYSTEMS



KITS



PUMPS



METERS



METERED NOZZLES

# FLIPPER

## FEATURES

- COMPLETE KIT
- READY TO USE
- COMPATIBLE WITH ALL VEHICLES
- ROBUST, FUNCTIONAL
- 3D FILTER FOR ADBLUE
- SB325\_X METER NOZZLE CAR VERSION

FLIPPER is the AdBlue® mobile transfer trolley made by PIUSI. It is light and handy with switching from manual to electric operation to save time, money and effort.

## PERFORMANCE

**20 L/MIN**

FLOW RATE

**230V**  
VOLTAGE

POWER

**4M**

ELECTRIC CABLE

**2,2M**

HOSE LENGTH



**FLIPPER**

## PACKAGING

CODE	WEIGHT		PACKAGING			
	KG	LBS	MM	INCH	PCS/PALLET	PCS/BOX
FO0100COO	44	97	1070X700X300	42,1X27,5X11,8	1	1



NOZZLES



FILTRATION



TANK MONITORING



HOSE REEL



ACCESSORIES



MERCHANDISE



AIR



ANTIFREEZE



AdBlue®



BIODIESEL



DIESEL



FOOD



GASOLINE



GREASE



KEROSENE



OIL

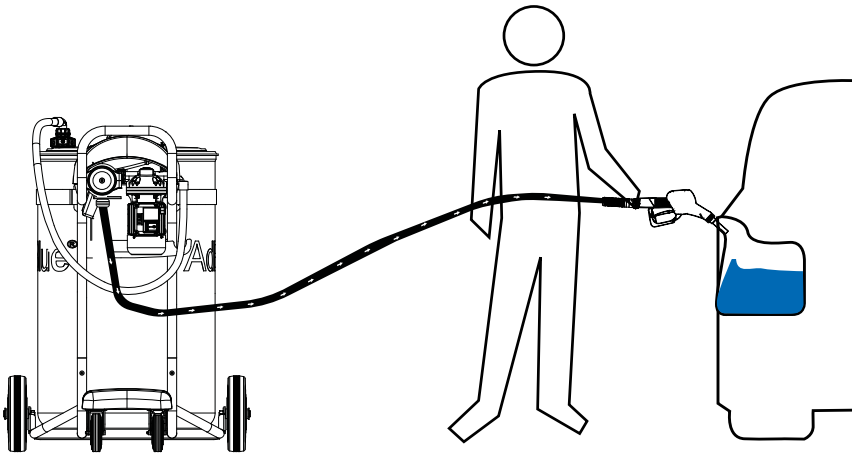


WATER



WINDSCREEN

## FUNCTIONING



## IN THE BOX

- FLIPPER UNIT
- CART
- AF2 CONNECTOR
- SUCTION HOSE
- DELIVERY HOSE
- SB325\_X METER NOZZLE CAR
- INSTRUCTION MANUAL

## DETAILS



3D FILTER



AF2 CONNECTOR

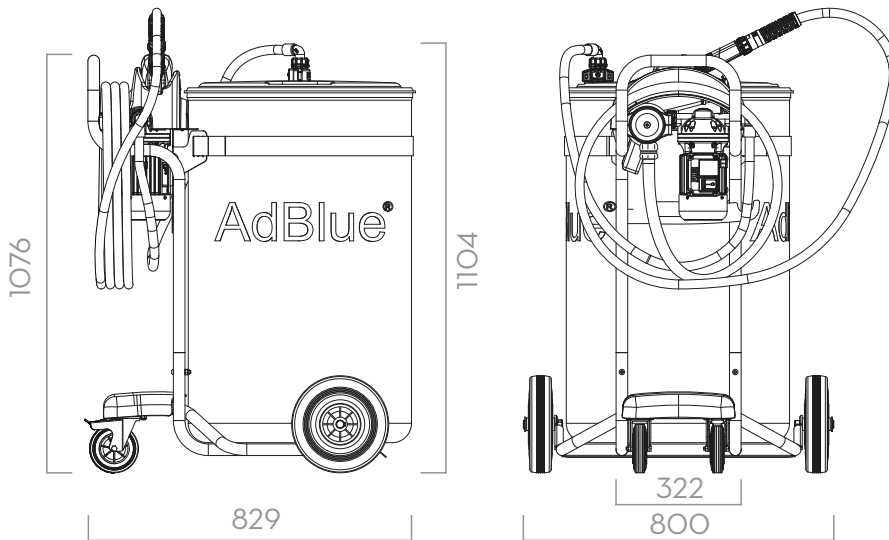


SB325\_X METER CAR



BENDING PROTECTION

## DIMENSIONS



Dimensions expressed in millimeters

## COMPONENTS

- **PUMP:**  
SUZZARABLU PUMP AC                      PAG. 70
- **FILTER:**  
3DFILTER    PAG. 126
- **NOZZLE:**  
SB325\_X METER CAR

## TECHNICAL DATA

CODE	DESCRIPTION	FLUIDS TYPE	FLOW RATE		VOLTAGE			HOSE		ON/OFF
			L/MIN	GPM	AC V/HZ DC VOLT	POWER WATT	AMP. MAX.	LENGHT	Ø	SWITCH
FO0100COO	FLIPPER AC 230V 50 HZ		20	0,5 - 2,6	230/50	400	1,95	2,2	3/4"	YES

# FLIPPER