



INDEX

1 CE DECLARATION OF CONFORMITY
2 GENERAL WARNINGS
3 SAFETY INSTRUCTIONS
3.1 SAFETY WARNINGS
3.2 FIRST AID RULES
3.3 GENERAL SAFETY RULES
4 DISPENSING SYSTEM PACKAGING
5 PACKAGE CONTENTS/PRE-INSPECTION
5.1 ST200 COMPOSITION
6 MACHINE AND MANUFACTURER IDENTIFICATION
7 PLATES POSITION
8 TECHNICAL SPECIFICATIONS
9 INTENDED USE
10 INSTALLATION
11 OPERATION AND USE
12 MAINTENANCE
13 TROUBLESHOOTING
14 DEMOLITION AND DISPOSAL

1 CE DECLARATION OF CONFORMITY

The undersigned: PIUSI S.p.A. Via Pacinotti 16/A - z.i. Rangovino 46029 Suzzara - (MN) - Italy

HEREBY STATES under its own responsibility, that the equipment described below: Description: DIESEL FUEL DISPENSER Model: ST 00 Serial number: refer to Lot Number shown on CE plate affixed to product Year of manufacture: refer to the year of production shown on the CE plate affixed to the product

is in conformity with the legal provisions indicated in the directives: - Machine Directive 2006/42/EC - Electromagnetic Compatibility Directive 2014/30/EU The documentation is at the disposal of the competent authority following motivated request at Piusi S.p.A. or following request sent to the email address: doc\_tec@piusi.com

The person authorised to compile the technical file and draw up the declaration is Otto Varini as legal representative.

Suzzara, 20/04/2016 Otto Varini Legal Representative

2 GENERAL WARNINGS

Warnings To ensure operator safety and to protect the dispensing system from potential damage, workers must be fully acquainted with this instruction manual before attempting to operate the dispensing system. The following symbols will be used throughout the manual to highlight safety information and precautions of particular importance:

ATTENTION This symbol indicates safe working practices for operators and/or potentially exposed persons. WARNING This symbol indicates that there is risk of damage to the equipment and/or its components. NOTE This symbol indicates useful information.

Manual preservation This manual should be complete and legible throughout. It should remain available to end users and specialist installation and maintenance technicians for consultation at any time.

Reproduction rights All reproduction rights are reserved by Piusi S.p.A. The text cannot be reprinted without the written permission of Piusi S.p.A. © Piusi S.p.A. THIS MANUAL IS THE PROPERTY OF Piusi S.p.A. ANY REPRODUCTION, EVEN PARTIAL, IS FORBIDDEN.

This manual belongs to Piusi S.p.A., which is the sole proprietor of all rights indicated by applicable laws, including, by way of example, laws on copyrights. All the rights deriving from such laws are reserved to Piusi S.p.A.: the reproduction, including partial, of this manual, its publication, change, transcription and notification to the public, transmission, including using remote communication media, placing at disposal of the public, distribution, marketing in any form, translation and/or processing, loan and any other activity reserved by the law to Piusi S.p.A..

3 SAFETY INSTRUCTIONS

3.1 SAFETY WARNINGS

Mains - preliminary checks ATTENTION You must avoid any contact between the electrical power supply and the fluid that needs to be FILTERED.

Maintenance control Before any checks or maintenance work are carried out, disconnect the power source.

FIRE AND EXPLOSION To help prevent fire and explosion: Use equipment only in well ventilated area.

When flammable fluids are present in the work area, such as gasoline and windshield wiper fluid, be aware that flammable fumes can ignite or explode. Keep work area free of debris, including rags and spilled or open containers of solvent and gasoline. Do not plug or unplug power cords or turn lights on or off when flammable fumes are present. Ground all equipment in the work area.

Stop operation immediately if static sparking occurs or if you feel a shock. Do not use equipment until you identify and correct the problem. Keep a working fire extinguisher in the work area.

ELECTRIC SHOCK This equipment must be grounded. Improper grounding, setup or usage of the system can cause electric shock. Turn off and disconnect power cord before servicing equipment. Connect only to a grounded electrical outlets. Use only 3 wire extension cords in accordance with local electrical codes. Extension cords should have a ground lead. Ensure ground prongs are intact on power and extension cords. Do not expose to rain. Store indoors. Never touch the electric plug of socket with wet hands. Do not turn the dispensing system on if the power connection cord or other important parts of the apparatus are damaged, such as the inlet outlet plumbing, dispensing nozzle or safety devices. Replace damaged components before operation.

Before each use check that the power connection cord and power plug are not damaged. If damaged, have power connection cord replaced before use by a qualified electrician. The electrical connection between the plug and socket must be kept well away from water. Unsuitable extension leads can be hazardous, in accordance with current regulations, only extension cords that are labelled for outdoor use and have a sufficient conduction path should be used outdoors.

For safety reasons, we recommend that, in principle, the equipment be used only with a earth-leakage circuit breaker (max 30 mA). Electrical connections must use ground fault circuit interrupter (GFCI). Installation operations are carried out with the box open and accessible electrical contacts. All these operations have to be done with the unit isolated from the power supply to prevent electrical shock! Do not operate the unit when fatigued or under the influence of drugs or alcohol. Do not leave the work area while equipment is energized or under pressure. Turn off all equipment when equipment is not in use. Do not alter or modify equipment. Alterations or modifications may void agency approvals and create safety hazards. Route hoses and cables away from traffic areas, sharp edges, moving parts, and hot surfaces. Do not kink or over bend hoses or use hoses to pull equipment. Keep children and animals away from work area. Comply with all applicable safety regulations. Do not exceed the maximum operating pressure or the temperature of the part with lower nominal value of the system. See Technical Data in all equipment manuals.

Use fluids and solvents that are compatible with the wetted part of the system. See Technical Data in all equipment manuals. Read the manufacturer's instructions of the fluids and solvents. For more information on the material, request the safety data sheet (MSDS) from the distributor or dealer. Check the equipment every day. Immediately repair or replace worn or damaged parts - only with original spare parts of the manufacturer. Make sure the equipment is classified and approved compliant with the standards of the environment where it is used. Use the equipment only for the intended use. Contact your distributor for more information. Keep hoses and cables far from traffic areas, sharp edges, moving parts and hot surfaces. Do not bend or overbend the hoses or use the hose to pull the equipment. To avoid severe burns do not touch hot fluid or equipment.

Read MSDS's to know the specific hazards of the fluids you are using. Store hazardous fluid in approved containers, and dispose of it according to applicable guidelines. Prolonged contact with the treated product may cause skin irritation: always wear protective gloves during dispensing.

When operating the dispensing system and in particular during

3.2 FIRST AID RULES

Persons who have suffered electric shock Disconnect the power source, or use a dry insulator to protect yourself while you move the injured person away from any electrical conductor. Avoid touching the injured person with your bare hands until he is far away from any conductor. Immediately call for help from qualified and trained personnel. Do not operate switches with wet hands.

SMOKING PROHIBITED When operating the dispensing system and in particular during

Essential protective equipment characteristics Wear protective equipment that is: - suited to the operations that need to be performed; - resistant to cleaning products.

Safety shoes: Close-fitting clothing: Protective gloves: Safety goggles: Instruction manual

Other equipment

3.3 GENERAL SAFETY RULES

Wear protective equipment that is: - suited to the operations that need to be performed; - resistant to cleaning products.

Safety shoes: Close-fitting clothing: Protective gloves: Safety goggles: Instruction manual

Other equipment

4 DISPENSING SYSTEM PACKAGING

The dispensing system comes packed suitably for shipment. On the packaging a label shows the following product information: - name - code - weight

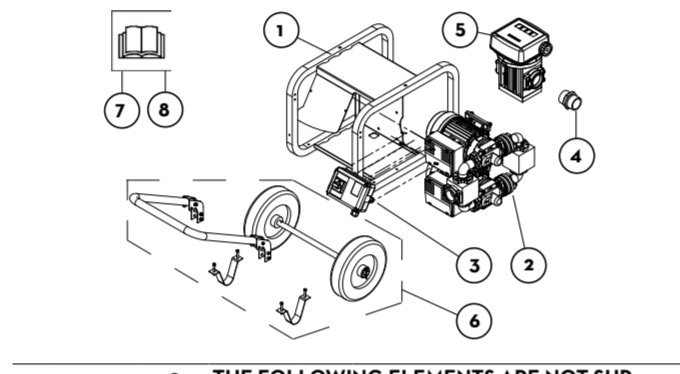
5 PACKAGE CONTENTS/PRE-INSPECTION

FOREWARD To open the packaging, use a pair of scissors or a cutter. Check that the following components provided as part of the equipment are available:

NOTE In the event that one or more of the components described below are missing from inside the package, please contact Piusi line technical support. Check that the data on the plate correspond to the desired specifications. In the event of any anomaly, contact the supplier immediately, indicating the nature of the defects. Do not use equipment which you suspect might not be safe.

5.1 ST200 COMPOSITION

- 1 FRAME 5 METER K700 (optional)
2 PUMP E120 (2 PIECES) 6 WHEELS KIT (optional)
3 ELECTRICAL BOX 7 MANUAL
4 NIPPLE 1" 1/2 8 PUMP USE AND MAINTENANCE MANUAL



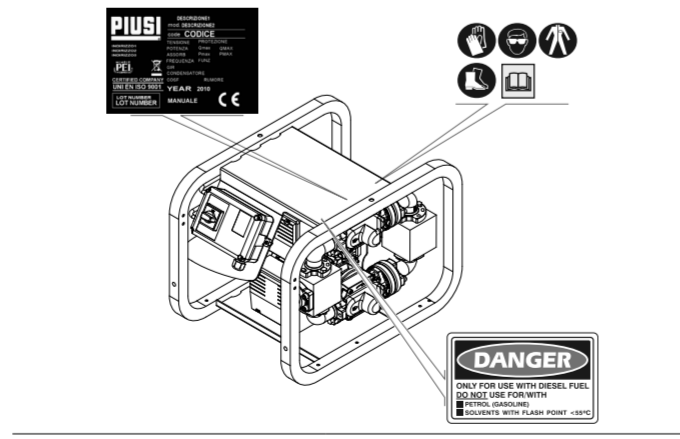
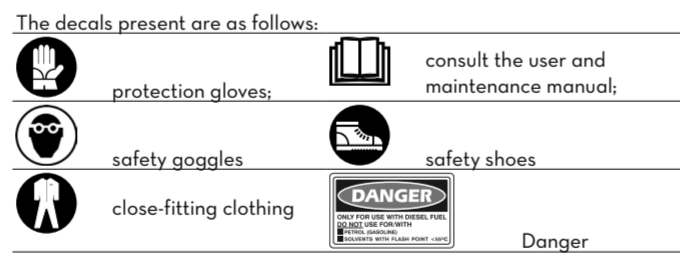
THE FOLLOWING ELEMENTS ARE NOT SUPPLIED: - DELIVERY PIPE - SUCTION PIPE - POWER CORD

6 MACHINE AND MANUFACTURER IDENTIFICATION

The dispensing system comes with an identification plate; this is attached to the pump and contains the following information: - type: - lot number / Production year; - technical data; - use and maintenance handbook code Before installing, always make sure the type of dispensing system is correct and suitable for the available power supply (Voltage/Frequency)

7 PLATES POSITION

FOREWARD The dispensing system is equipped with decals and/or plates to provide operators with the necessary important information. Make sure that these do not deteriorate or become detached over time. Should this situation arise, please contact our support department and arrange to have the damaged or missing plates sent back and replaced where necessary.



8 TECHNICAL SPECIFICATIONS

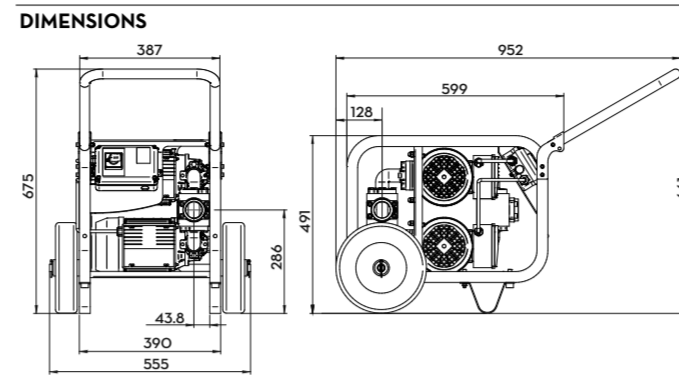


Table with 7 columns: Model, Electrical power (V), Frequency (Hz), Maximum current (A), Electric Power (W), Flow Rate (l/min), Max Pressure (bar), Revolution per Minute (rpm), Net weight (kg). Rows include ST 200 230/50, ST 200 240/50, and ST 200 120/60 NPT.

9 INTENDED USE

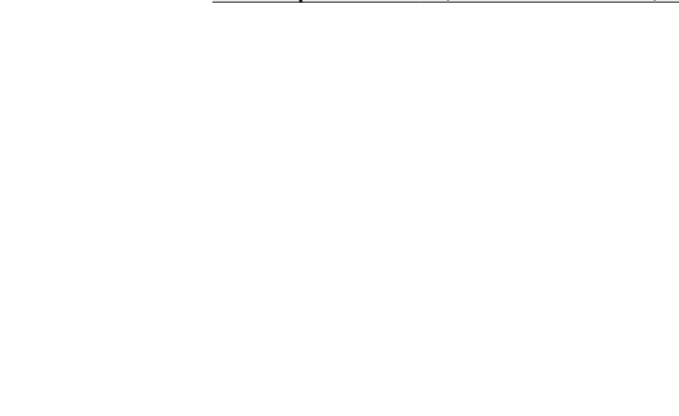
The dispensing system "ST200" was designed and built to dispense diesel fuel. The dispensing system "ST200" should be used by observing the following conditions: Max. temperature of dispensed product: +35 °C. Min temperature of dispensed product: -11 °C. Max. temperature of dispensed product permitted by materials: +40°C. Equivalent continuous sound pressure level at the workstation: 75 dB(A) Make sure that the pump operates within its nominal operating parameters. DIESEL FUEL at a viscosity of from 2 to 5.35 cSt (at a temperature of 37.8°C). Minimum Flash Point (PM): 55°C / 131°F, according to UNI EN 590 The system "ST200" was not designed for dispensing of diesel, petrol, flammable liquids with flash point <55°C/131°F, or for operation in environments with potentially explosive atmosphere. The use in the above mentioned conditions is forbidden. TEMPERATURE: min. -20° C / max +60° C RELATIVE HUMIDITY: max. 90%

ATTENTION Environmental conditions The temperature limits shown apply to the pump components and must be respected to avoid possible damage or malfunction. The dispensing system should be powered by a safe source: battery or power supply 12/24v with safety transformer.

Electrical power supply In accordance with the model, the pump must be powered by a direct current line, the nominal values of which are indicated on the table in the paragraph "g - electrical specifications". The maximum acceptable variations from the electrical parameters are: Voltage: +/- 10% of the nominal value Power supply from lines with values that do not fall within the indicate limits could cause damage to the electrical components and reduction of working performance.

ATTENTION Products not permitted - Gasoline - Fire - explosion - Inflammable liquids with pm - Fire - explosion - 55°C - Liquids with viscosity >20 cst - Motor overload - Water - Pump oxidation - Food liquids - Contamination of the same - Corrosive chemical products - Pump corrosion - injury to persons - Fire - explosion - Solvents - damage to gasket seals

It is absolutely forbidden to use the system for purposes different from those specified in section "Intended use" All products not listed in the "Intended Use" and "Treated Product Characteristics" paragraphs are to be considered not permitted, improper and therefore prohibited. Piusi s.p.a. accepts no responsibility for damage to persons or property caused by failure to comply with this requirement. Functioning under by-pass conditions is only allowed for brief periods of time (2-3 minutes maximum).



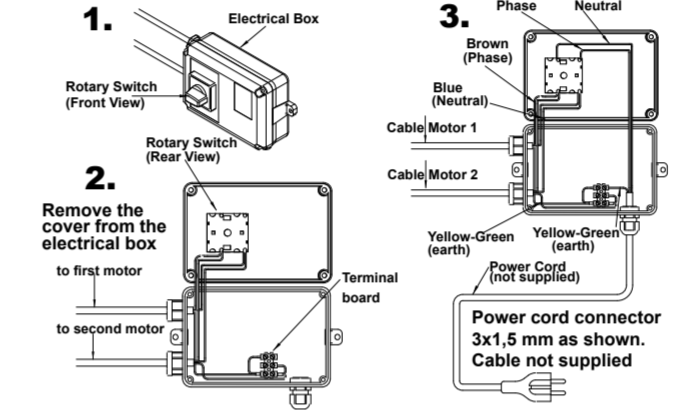
10 INSTALLATION

Foreword The "ST200" dispensing system is supplied already assembled. All installations must be carried out by authorised and competent personnel only. Authorised persons must: - install the system in dry and well-ventilated place; - ensure the correct installation of equipment required for the correct functioning of the pump; - only use accessories that have been supplied with the system.

WARNING The use of accessories that are unsuitable and were not provided with the system is strictly prohibited. Piusi S.p.A. accepts no responsibility for damage to persons, property or the environment caused by failure to comply with this requirement.

As per the current legislation, the "ST200" dispensing system must be installed in premises that are sufficiently well-lit. The "ST200" dispensing system has been specifically designed for use in a dry place. If installed outside, an adequate protective covering must be provided.

No delivery and suction pipes are supplied with the system. Install suitable pipes with 1"1/2 GAS connections, as well as the flanges on the pumps. Wiring should be carried out as shown in the following diagram. Connect the power cord (not supplied with the system) as shown in the following diagram.



11 OPERATION AND USE

Foreword Directions on how to start and stop operation of the system are given below:

WARNING During operation the motor may be hot: be careful.

WARNING Do not run the pump dry. This can cause serious damage to its components.

WARNING Operation of the pump without dispensing is only admitted for periods of no longer than 3 minutes.

WARNING We recommend that the pump remains switched off whenever the system is not in use.

12 MAINTENANCE

Safety instructions The dispensing system was designed and built to require a minimal amount of maintenance. Before carrying out any maintenance work, disconnect the dispensing system from any electrical and hydraulic power source. During maintenance, the use of personal protective equipment (PPE) is compulsory. In any case always bear in mind the following basic recommendations for a good functioning of the dispensing system

Whenever there is risk of frost, empty the circuit and the pump, taking care to place the pump in an environment where the temperature is no lower than 0°C/32°F. Check that the labels and plates found on the dispensing system do not deteriorate or become detached over time.

ONCE A WEEK: - Check that the pipe connections are not loose to prevent any leaks;

ONCE A MONTH: - Check that the electrical supply cables are in good condition.

ATTENTION For a correct pump maintenance , see the special use and maintenance documentation

13 TROUBLESHOOTING

Table with 3 columns: PROBLEM, POSSIBLE CAUSE, CORRECTIVE ACTION. Rows include THE MOTOR IS NOT TURNING, THE MOTOR TURNS SLOWLY WHEN STARTING, LOW OR NO FLOW RATE, INCREASED PUMP NOISE, and LEAKAGE FROM THE PUMP BODY.

ATTENTION For a correct pump maintenance , see the special use and maintenance documentation

14 DEMOLITION AND DISPOSAL

Foreword If the system needs to be disposed, the parts which make it up must be delivered to companies that specialize in the recycling and disposal of industrial waste and, in particular: The packaging consists of biodegradable cardboard which can be delivered to companies for normal recycling of cellulose. Metal parts, whether paint-finished or in stainless steel, can be consigned to scrap metal collectors. These must be disposed of by companies that specialize in the disposal of electronic components, in accordance with the indications of directive 2012/19/UE (see text of directive below).

European Directive 2012/19/UE requires that all equipment marked with this symbol on the product and/or packaging not be disposed of together with non-differentiated urban waste. The symbol indicates that this product must not be disposed of together with normal household waste. It is the responsibility of the owner to dispose of these products as well as other electric or electronic equipment by means of the specific refuse collection structures indicated by the government or the local governing authorities.

Disposing of RAEE equipment as household wastes is strictly forbidden. Such wastes must be disposed of separately. Any hazardous substances in the electrical and electronic appliances and/or the misuse of such appliances can have potentially serious consequences for the environment and human health. In case of the unlawful disposal of said wastes, fines will be applicable as defined by the laws in force.

Other components, such as pipes, rubber gaskets, plastic parts and wires, must be disposed of by companies specializing in the disposal of industrial waste.

Miscellaneous parts disposal