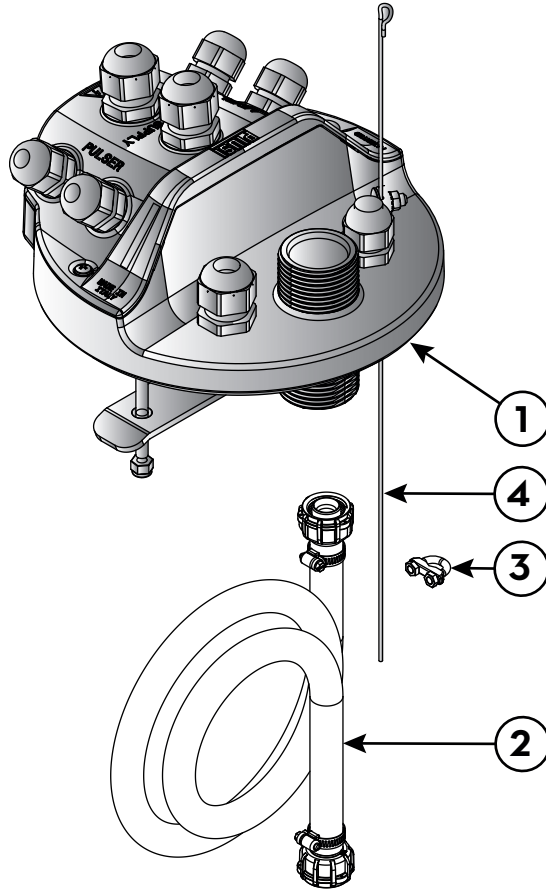




Fluid Handling  
Innovation

# SUBLOCK Assembly



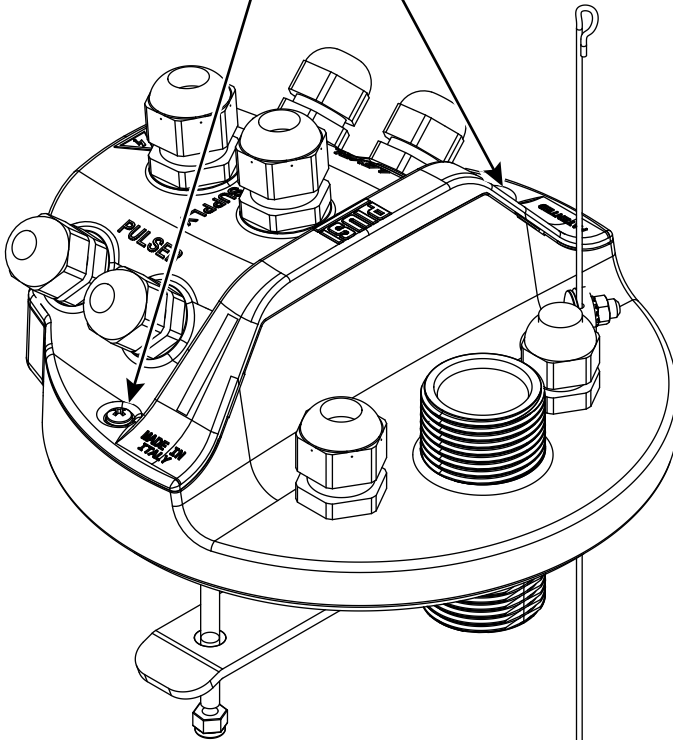
**MADE  
IN  
ITALY**

SUBLOCK Assembly

BULLETIN MO632 \_rev00

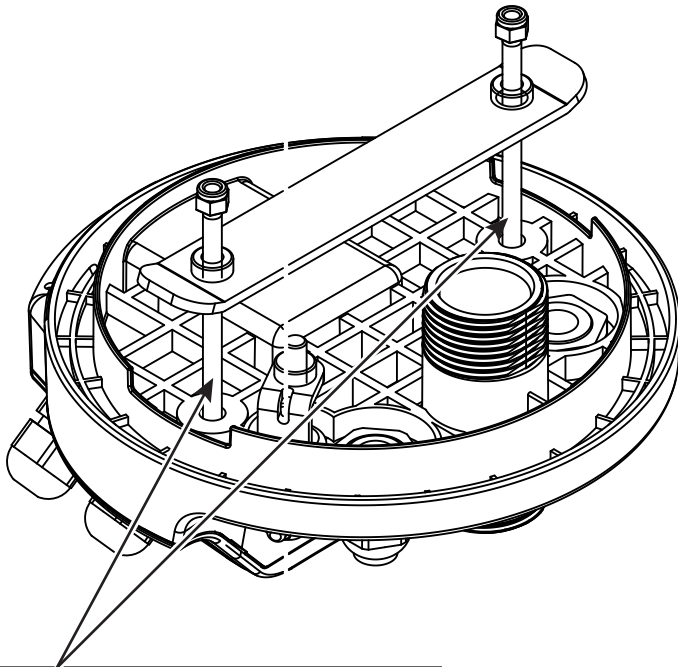
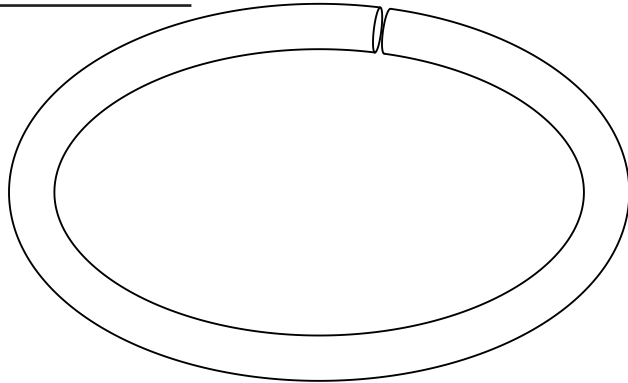
1

**BOX SCREW**



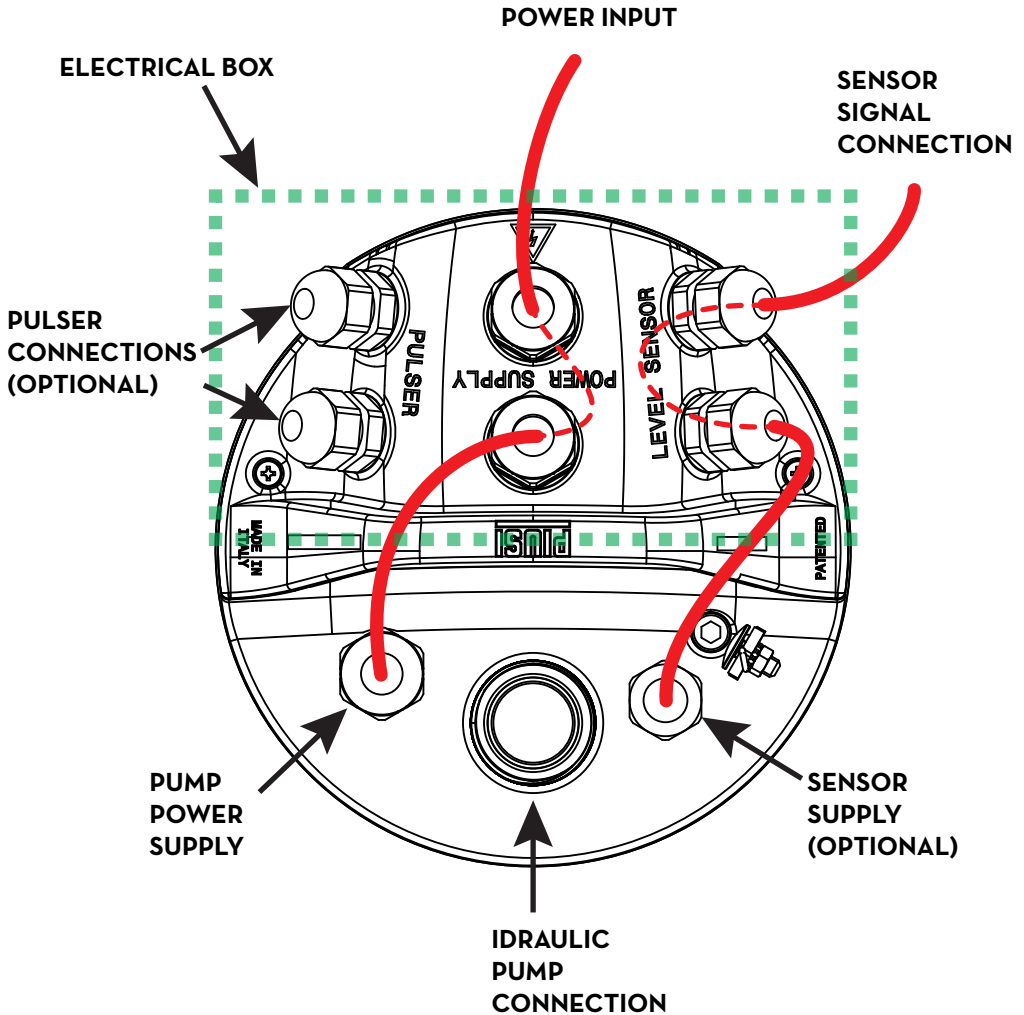
**PUMP  
SUSPENSION  
CABLE**

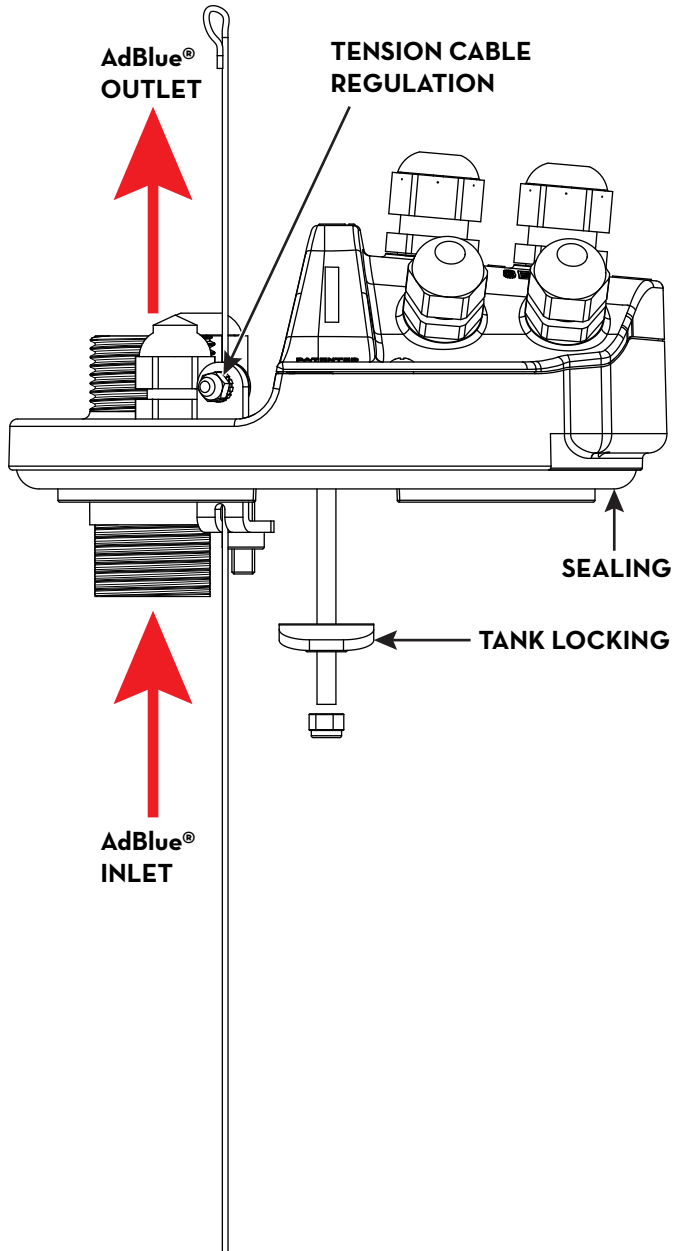
## TANK SEALING

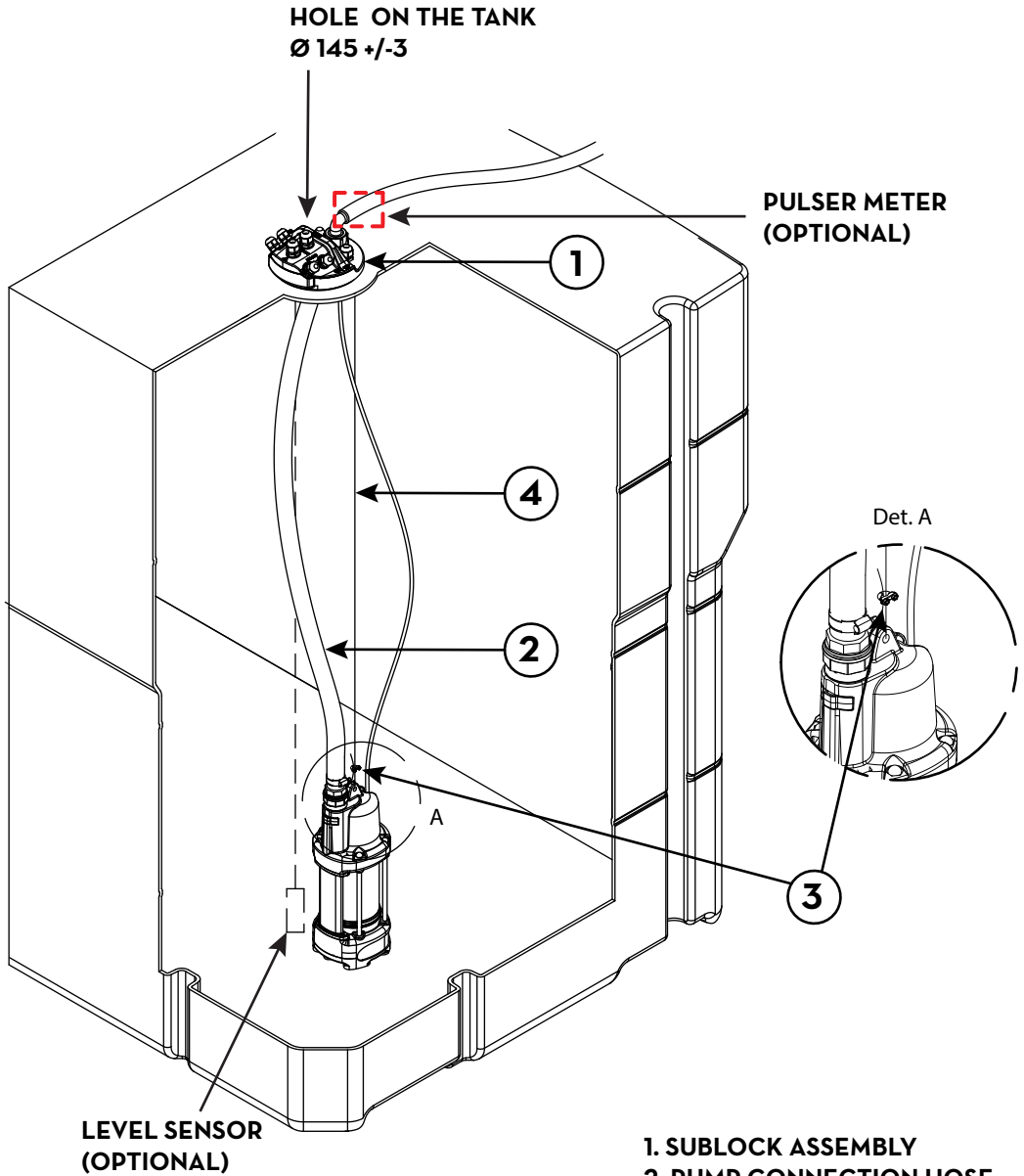


**TANK LOCKING SCREW**

# ELECTRICAL CONNECTIONS







1. SUBLOCK ASSEMBLY
2. PUMP CONNECTION HOSE
3. PUMP SUSPENSION JET
4. PUMP SUSPENSION WIRE



| *SUBLOCK assembly*



*Fluid Handling  
Innovation*