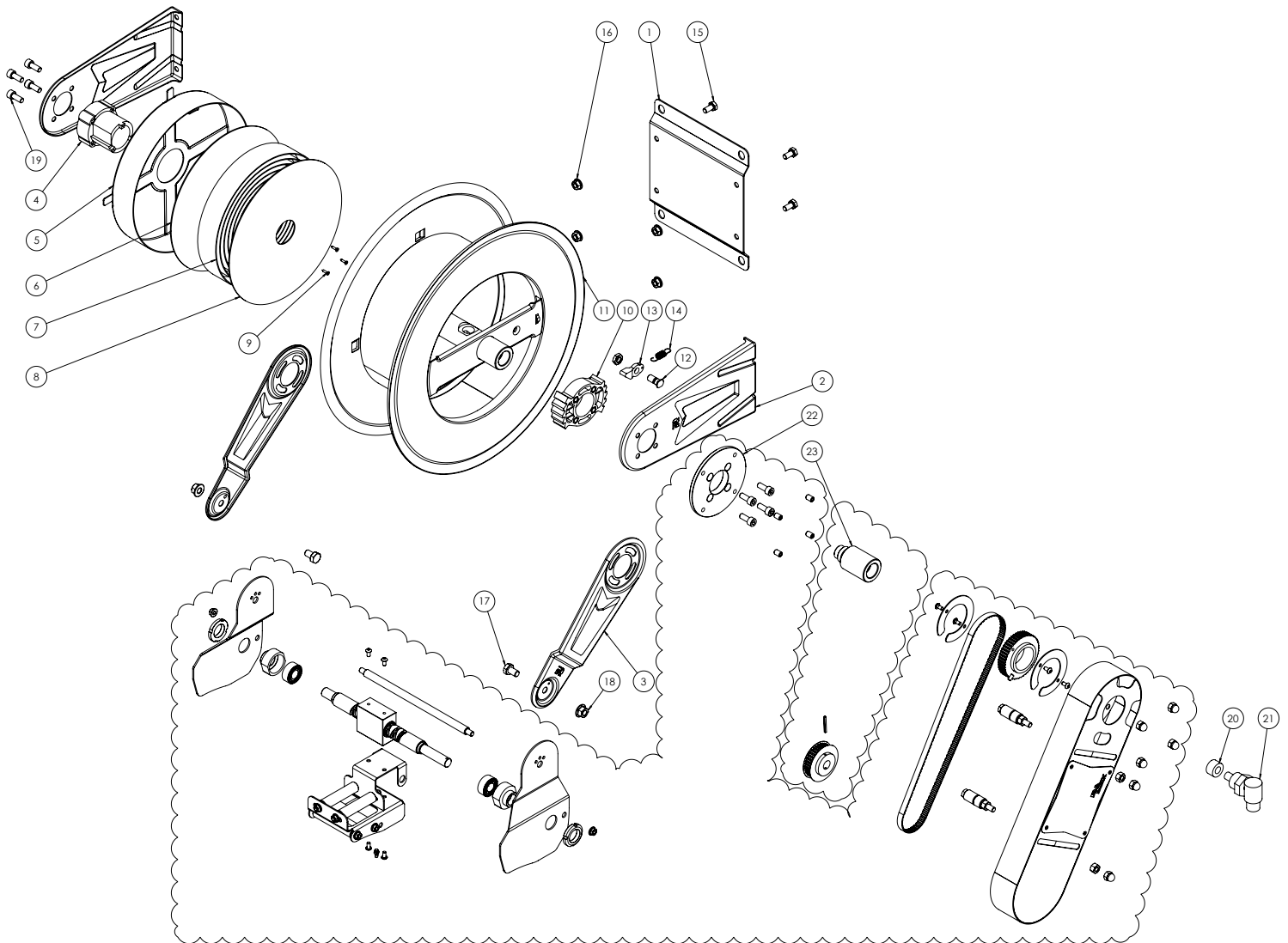
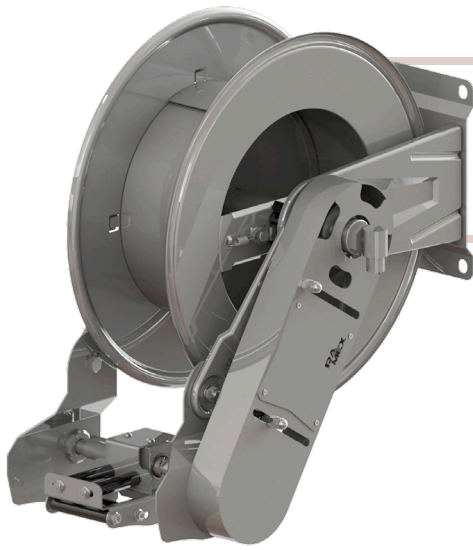




HR1100 HD

EXPLODED VIEW › ESPLOSO





HR1100 HD

EXPLODED VIEW › ESPLOSO

POS	Description and quantity / Descrizione e quantità	HR 1100 HD		HR 1100 HD 316		HR 1100 HD FE CA	
1	Base (1x)						
2	Side fixed arm / Fiancata fissa (2x)						
3	Mobile arm / Fiancata mobile (2x)						
4	Plastic hub / Perno in plastica (1x)	KIT 92		KIT 92 316		KIT 92	
5	Spring case / Padellotto portamolla (1x)						
6	Plastic separator / Distanziale in plastica (1x)						
7	Main spring / Molla principale (1x)						
8	Plastic separator / Distanziale in plastica (1x)						
9	Screw ST2.9 / Vite ST2.9 (3x)						
10	Plastic rack / Cremagliera in plastica (1x)	KIT CR 1		KIT CR 1		KIT CR 1	
11	Reel / Bobina (1x)						
12	Ratchet screw + nut M10 / Vite per salterello + dado M10 (1x)	KIT 93	RC 20	KIT 93 316	RC 20 316	KIT 93	RC 20
13	Plastic ratchet / Salterello in plastica nudo (1x)		RC 10		RC 10		RC 10
14	Ratchet spring / Molla per salterello (1x)		KIT 12		KIT 12 316		KIT 12
15	Screw M8 / Vite M8 (4x)						
16	Nut M8 / Dado M8 (4x)						
17	Screw M10 / Vite M10 (2x)						
18	Nut M10 / Dado M10 (2x)						
19	Screw M8 / Vite M8 (8x)						
20	Bushing seal / Boccia tenuta (1x)	4962	KIT 10 NEW	4960 1/2"	KIT 10 NEW 316	4961	KIT 10
21	Swivel joint / Giunto girevole (1x)						
22	KIT HDS 150 1/2"						
23	KIT HD (TO SELECT / DA SELEZIONARE)						
	1/4"	3/8"	1/2"				