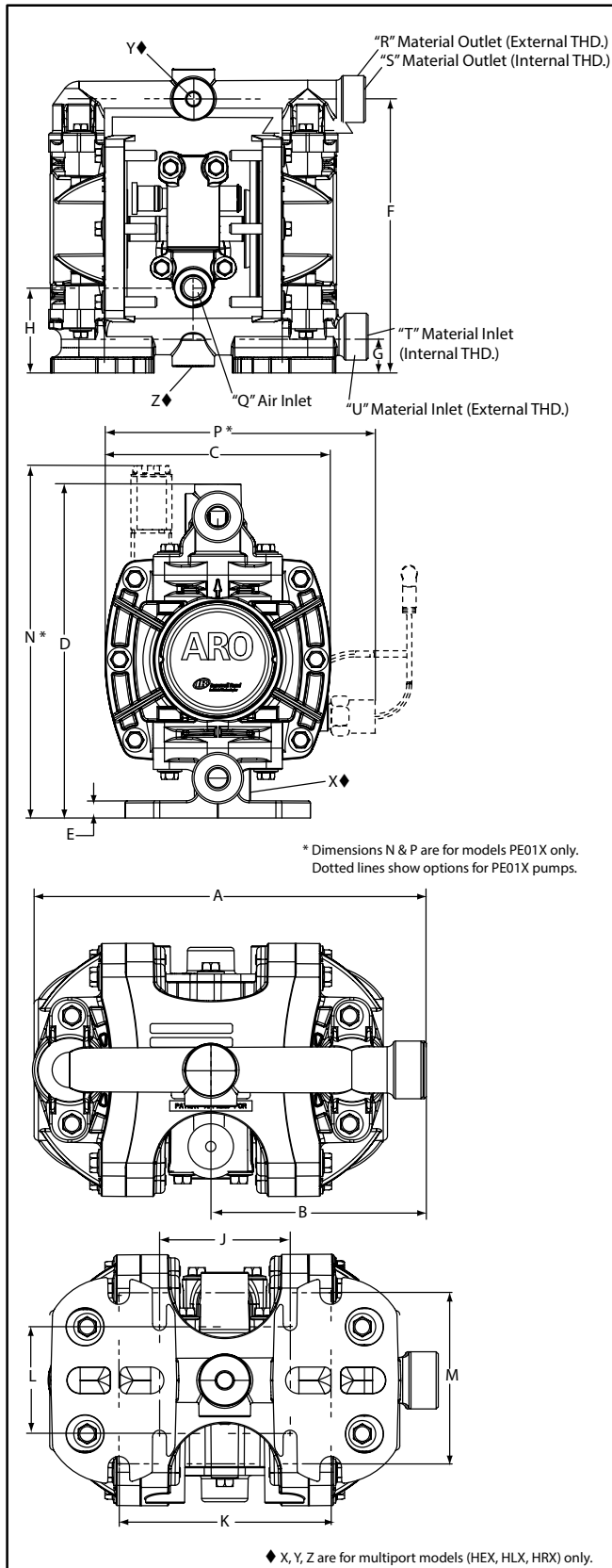


SALES & ENGINEERING DATA

PX01X-XXX-XXX-AXXX 1/4" DIAPHRAGM PUMP

RATIO SERIES:	1:1
FLUID PSIG RANGE:	10 - 125
RELEASED:	3-7-13
REVISED:	7-14-14
(REV. C)	

DIMENSIONAL DATA



SPECIFICATIONS

Model Series	PD01X-XXX-XXX-AXXXX, PE01X-XXX-XXX-AXXX
Pump Type	Non-Metallic Air Operated Double Diaphragm
Ratio	1:1
Air Inlet	Q - 1/4 - 18 PTF SAE Short
Weight	Polypropylene..... 2.86 lbs (1.30 kgs) PVDF..... 3.88 lbs (1.76 kgs) Acetal..... 3.52 lbs (1.60 kgs)

PERFORMANCE

Maximum Air Inlet Pressure	125 psig (8.6 bar)
Minimum Air Inlet Pressure	10 psig (0.69 bar)
Maximum Outlet Pressure	125 psig (8.6 bar)
Maximum Flow Rate	5.3 gpm (20 lpm)
Maximum Material Inlet Pressure	10 psig (0.69 bar)
Displacement / Cycle @ 125 psig	0.019 gal / 0.072 ltrs
Maximum Particle Size	1/16" dia.(1.6 mm)
Maximum Temperature Limits (diaphragm / ball / seat material)	
Acetal	10° to 180° F (-12° to 82° C)
E.P.R. / EPDM	-60° to 280° F (-51° to 138° C)
Kynar® PVDF	10° to 200° F (-12° to 93° C)
Hytre®	-20° to 150° F (-29° to 66° C)
Neoprene	0° to 200° F (-18° to 93° C)
Nitrile®	10° to 180° F (-12° to 82° C)
Polypropylene	35° to 175° F (2° to 79° C)
Viton®	-40° to 350° F (-40° to 177° C)
Santoprene®	-40° to 225° F (-40° to 107° C)
PTFE	40° to 225° F (4° to 107° C)

Noise Level @ 70 psig, 60 cpm..... 62.3 dB(A)①

① The pump sound pressure levels published here have been updated to an Equivalent Continuous Sound Level (L_{Aeq}) to meet the intent of ANSI S1.13-2005, CAGI-PNEUROP S5.1.

Mounting Adapter Plate Optional Accessory Kit (24123879) available. Please contact your nearest **ARO / Ingersoll Rand** customer service or distributor for details.

DIMENSIONS

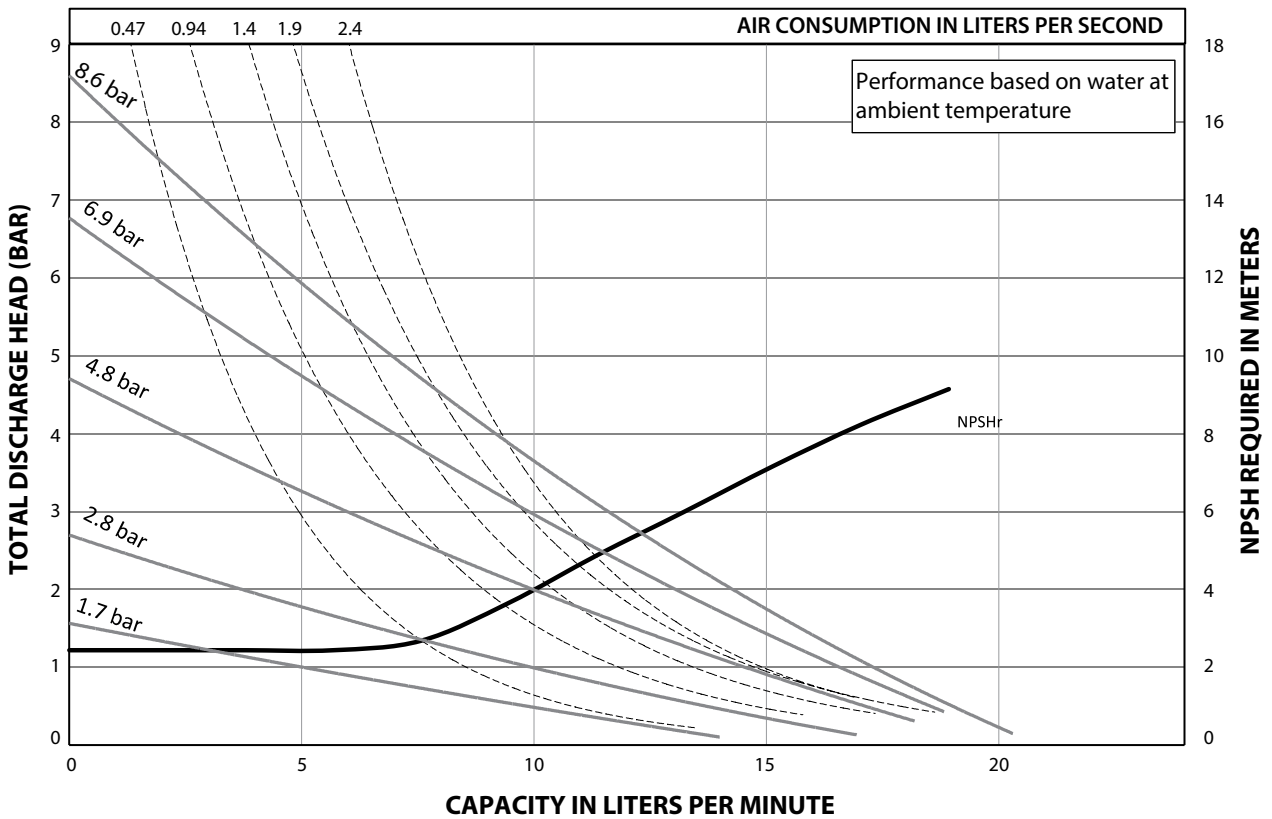
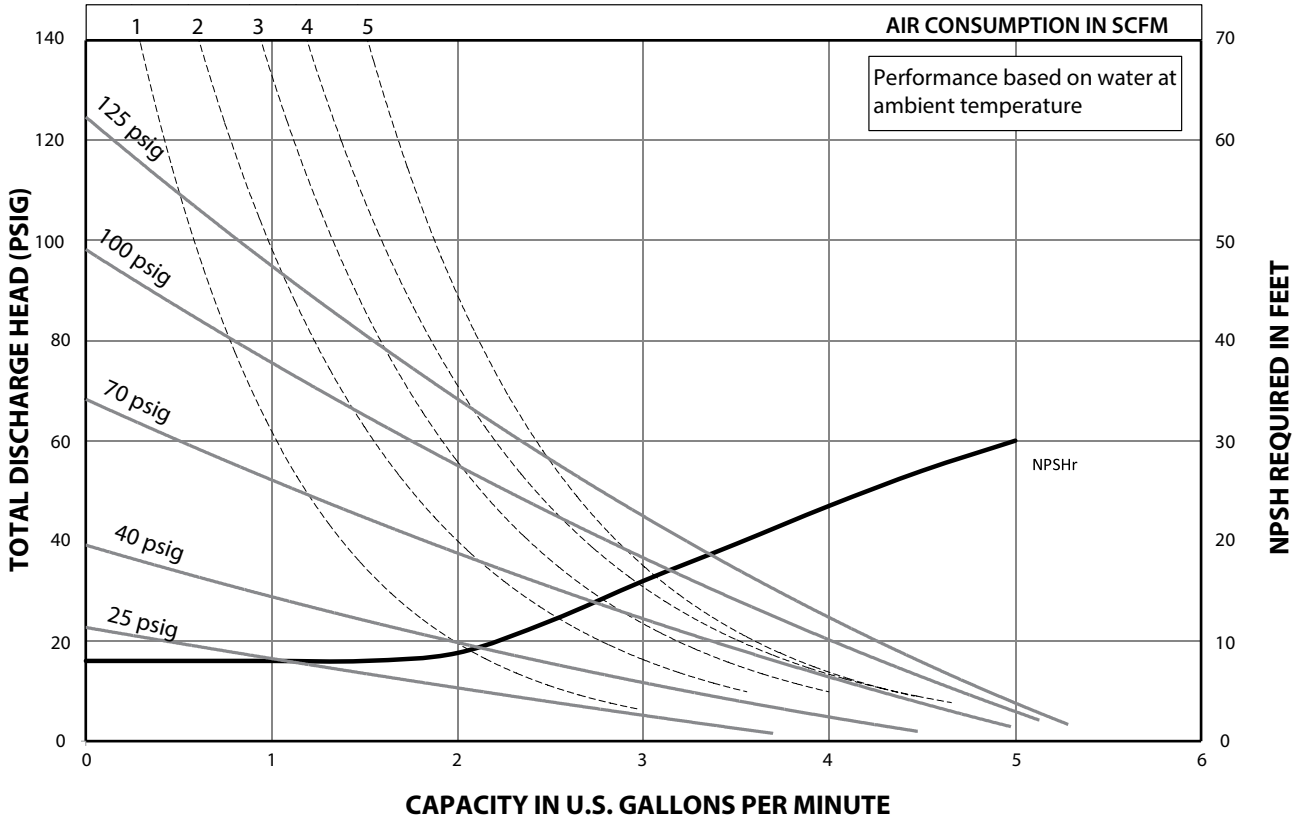
Dimensions shown are for reference only, they are displayed in inches and millimeters (mm).

A - 7.2" (182 mm)	H - 1.9" (48.6 mm)	Q - 1/4 - 18 PTF SAE Short	Z - 1/4 - 18 PTF SAE Short
B - 3.9" (100.0 mm)	J - 2.4" (61 mm)	R - 3/4-14 NPTF	
C - 4.6" (117.0 mm)	K - 3.9" (99 mm)	S - 1/4 NPTF / BSPT Hybrid*	
D - 6.8" (173.0 mm)	L - 2.1" (53 mm)	T - 1/4 NPTF / BSPT Hybrid*	
E - 0.3" (8.8 mm)	M - 3.2" (81 mm)	U - 3/4-14 NPTF	
F - 6.1" (156 mm)	N - 7.2" (184 mm)	X - 1/4-18 NPTF / BSPT Hybrid	
G - 0.8" (20.7 mm)	P - 5.6" (142.2 mm)	Y - 1/4 NPTF / BSPT Hybrid	

* Multiport Options Discharge Manifold has (2) and Inlet Manifold has (3).

PERFORMANCE CURVES

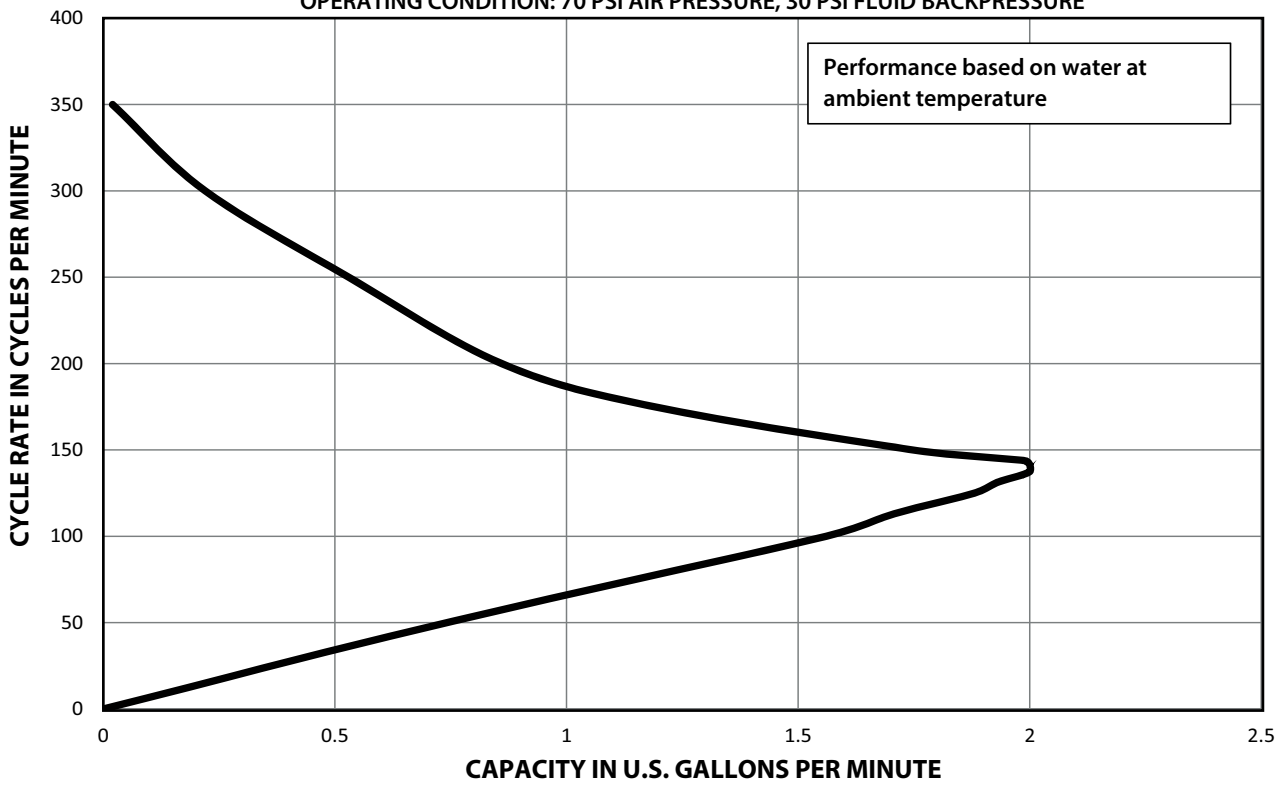
PD01P-XXS-XXX 1/4" NON-METALLIC DIAPHRAGM PUMP



PERFORMANCE CURVES

PE01X-XXX-XXX SOLENOID-CONTROLLED TIME-BASED FLOW RATE

OPERATING CONDITION: 70 PSI AIR PRESSURE, 30 PSI FLUID BACKPRESSURE



OPERATING CONDITION: 4.8 BAR AIR PRESSURE, 2.1 BAR FLUID BACKPRESSURE

