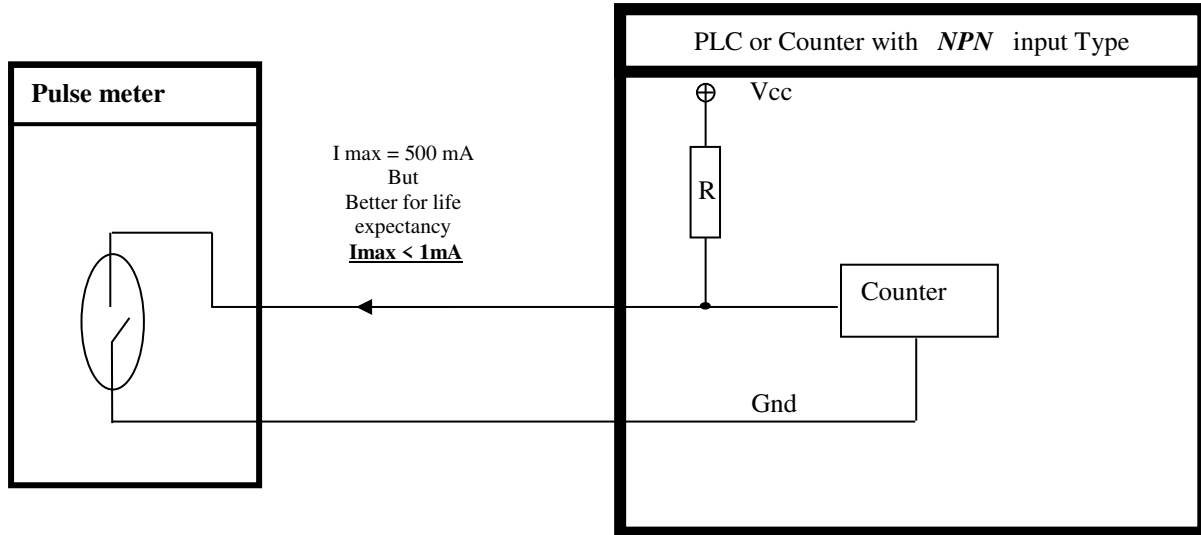


K700 Pulse meter Technical data

Electrical Data and Connection



Pulser Contact Characteristics			
Electrical Characteristics			
Switched Power (max)		W	10
Switched Voltage DC (max)		V	200
Switched Voltage AC, RMS value (max)		V	140
Switched Current DC (max)		mA	500
Switched Current AC, RMS value (max)		mA	500
Carry Current DC; AC, RMS value (max)		mA	500
Breakdown Voltage (min)		V	230
Contact Resistance (initial max)	(energization)	m Ω	115 (25 AT)
Contact Resistance (initial typ.)	(energization)	m Ω	95 (25 AT)
Contact Capacitance (max)	without test coil	pF	0.25
Insulation Resistance (min)	RH ≤ 45%	MΩ	10 ⁶

Signal :

Frequency Max : 50 / 60 Hz

Duty Cycle : 40% - 90%

