



Engineered for transferring a variety of corrosive liquids. Robust Polypropylene ensures chemical resistance against light to aggressive chemicals. Equipped with a battery powered turbine flow meter for controlling, measuring and dispensing neutral liquids, corrosive chemicals (acids & alkalis) and many other non-flammable liquids.

Technical Specifications

Package Includes:..... Motor, Pump Tube, Hose, Hand Nozzle, Wall Bracket, Barrel Adaptor & Flow Meter

Motor Type:..... 230V, 950 W, IP54, Variable Speed Drive

Pump Tube Material:.. Polypropylene, Hastelloy C-276, Carbon Graphite

Immersion Length:..... 39" (1000 mm) or 47" (1200 mm)

Discharge Hose:PVC, (1,8 m), 1" (25 mm) I.D.

Hand Nozzle Material:Polypropylene, Viton

Flow Meter Material: Polypropylene, HC22, PTFE

Flow Meter Type:.....Digital / Battery Powered Totalizer

Maximum Flow Rate:..... 61 L/min *based on water*

Maximum Viscosity: 300 cps (mPas)

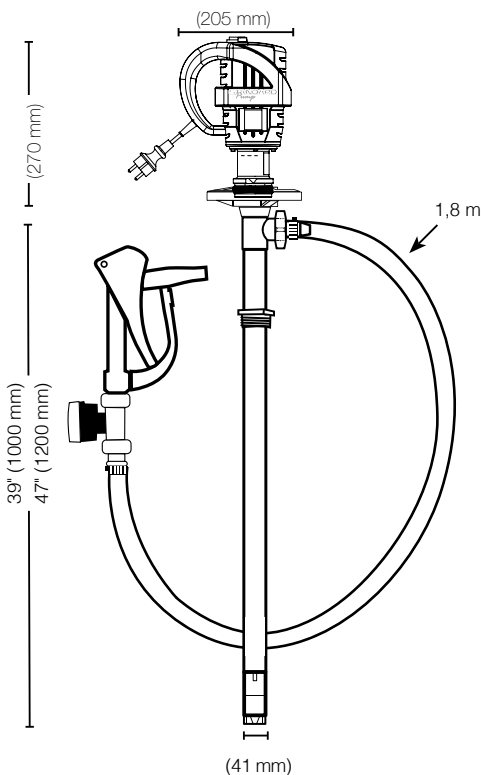
Maximum Temperature:55°C

Shipping Weight:..... 10,43 kg



DRUM & IBC tank

Package P/N	Motor	Power	Pump Tube
9540	SPE-950V	950 W	SP-PP-39
9541	SPE-950V	950 W	SP-PP-47



Warning: This pump is not suitable for use with Flammable/Combustible liquids.

*Note: When pumping viscosities over 1,000 cps, pump must be used intermittently to avoid potential premature failure and/or damage.