

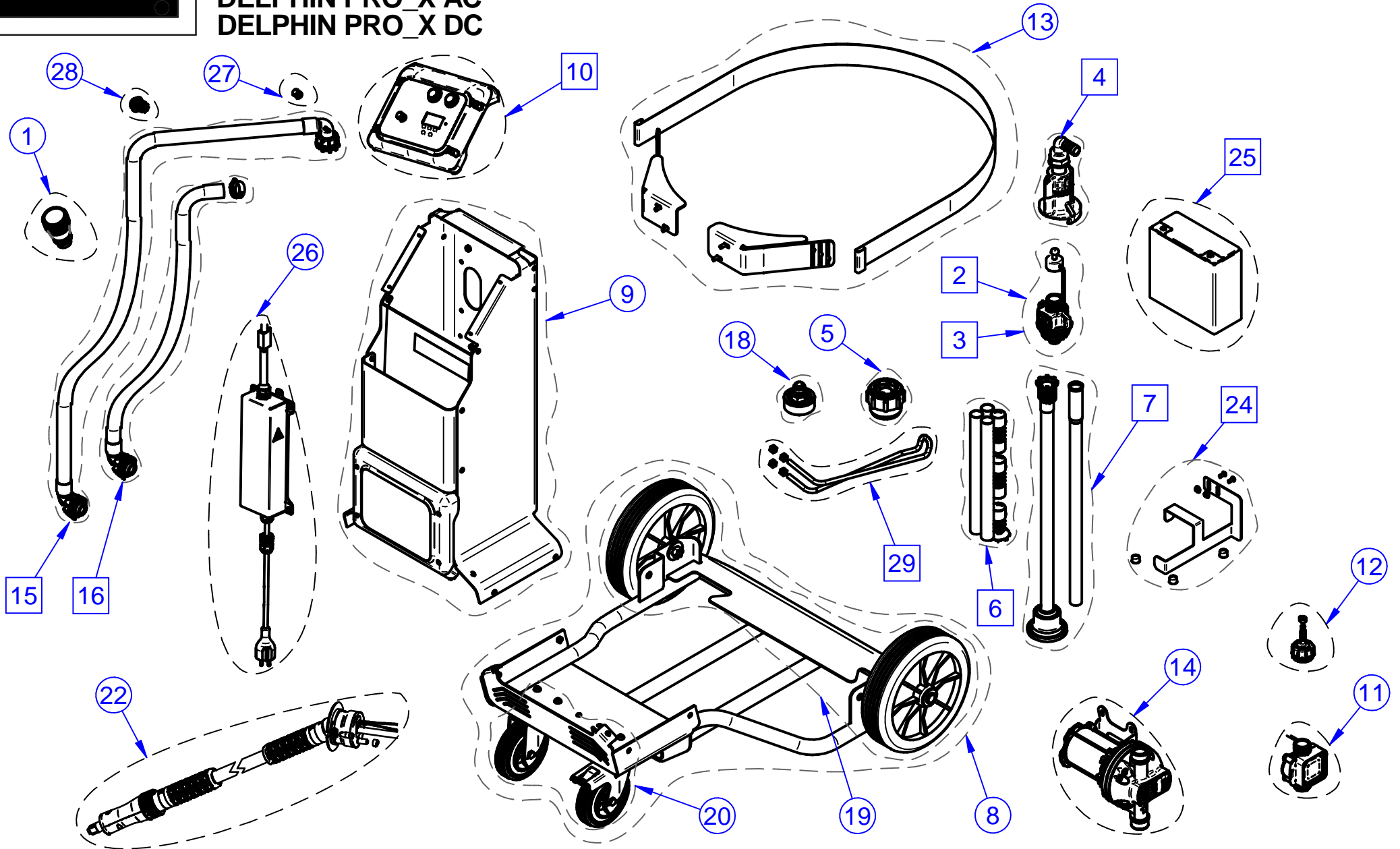
DESCRIPTION:

DELPHIN PRO AC
DELPHIN PRO_X AC
DELPHIN PRO_X DC

CODE:

LR_A00096

LAST RELEASE:
OCTOBER 2019



Some components may vary in shape and color or not be present. Always follow codes and quantity shown in list. ○ fixed components □ variable components - - - only reference