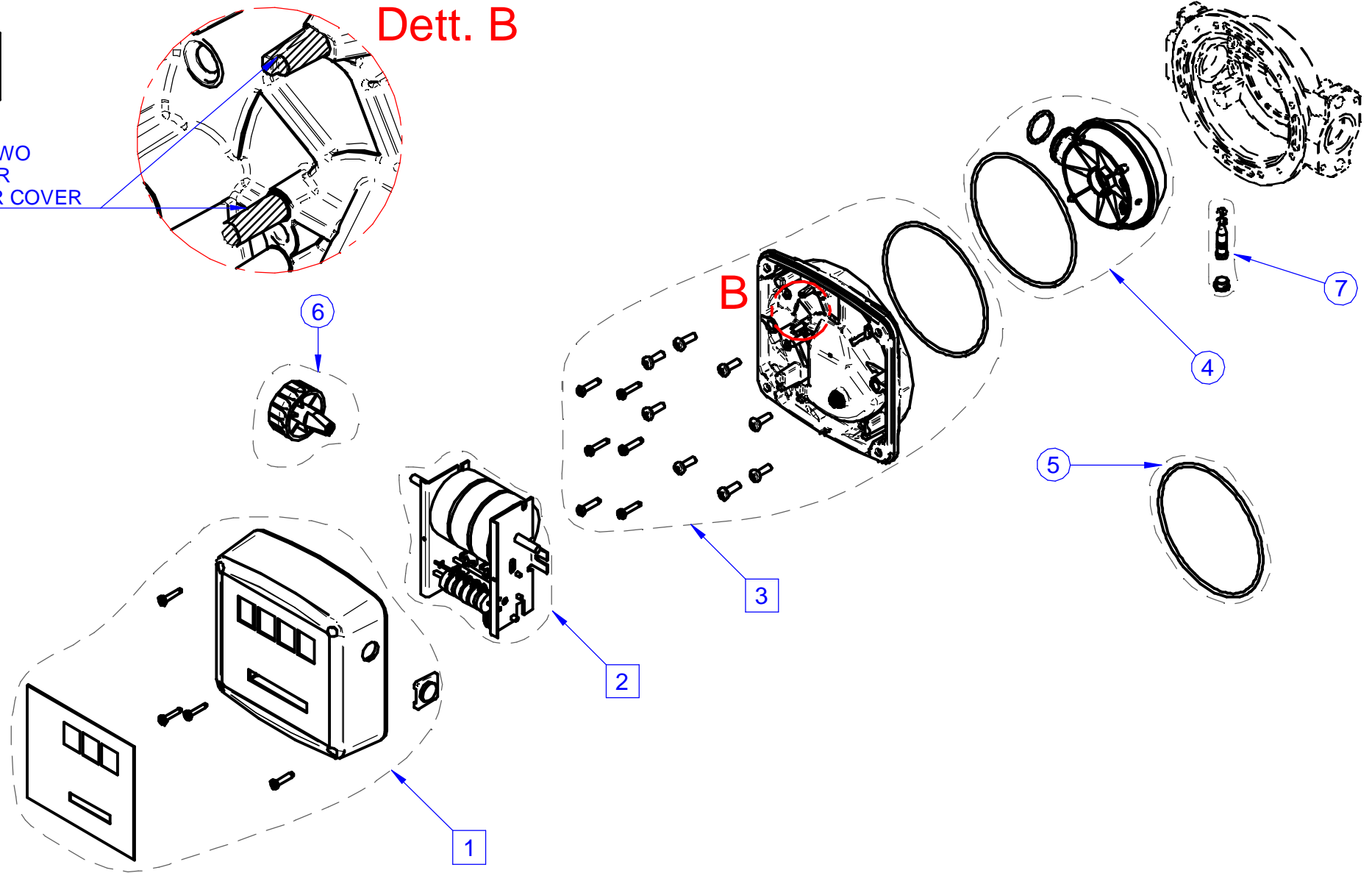




BREAK THE TWO
COLUMNS FOR
K44 CHAMBER COVER



Some components may vary in shape and color or not be present. Always follow codes and quantity shown in list. ○ fixed components □ variable components - - - only reference

Spare part

R18352000	1	(Ex) LABEL K33 LITER + COVER*
R08761000	2	KIT COUNTER K33*
R1903600A	3	COVER MEASURING CHAMBER K33/LITER*
R18363000	4	(Ex) MEASURING CHAMBER K33/44*
R18220000	5	GASKET OR 4450 d113,90x3,53 Gasoline*
F0875500A	6	RESET KNOB*
R1836600A	7	ADJUSTING BY-PASS+OR FKM K33/K44 Ex*