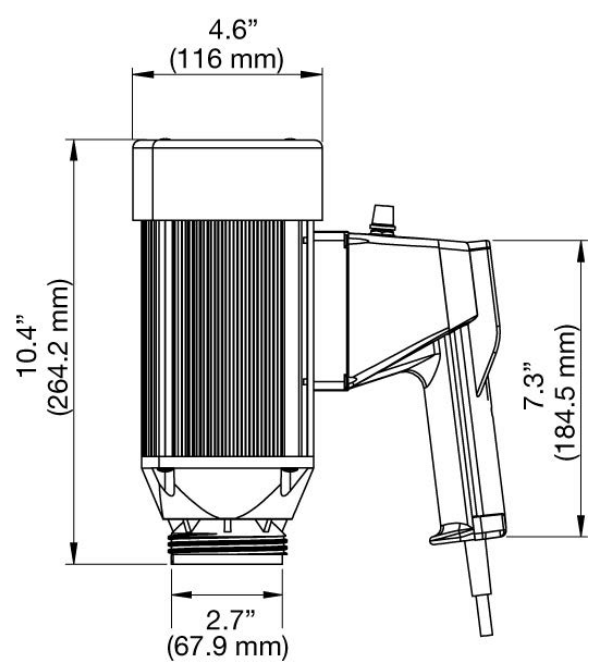
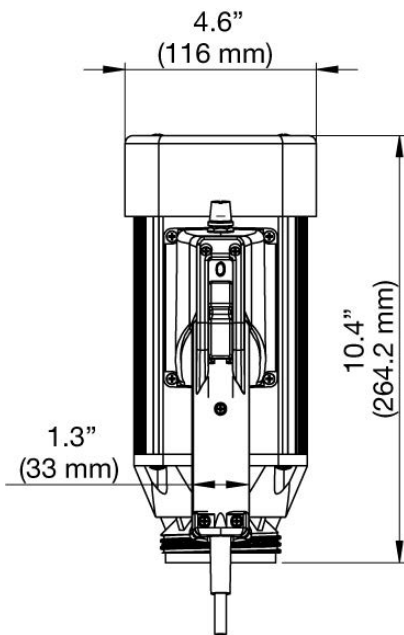


## Technical Specifications



<b>Enclosure:</b> .....	TEFC (IP54)
<b>Available Voltage:</b> .....	<b>SP-ENC &amp; SP-ENC-V</b> : 110V
.....	<b>SP-ENC-2, SP-ENC-2-V, SP-ENC-2NL &amp; SP-ENC-2-VNL</b> : 220V
<b>Horsepower (Watts):</b> .....	1.1 (825)
<b>Phase:</b> .....	1
<b>Amps:</b> .....	2.5 - 8 (varies by voltage)
<b>Frequency:</b> .....	50-60 Hz
<b>Insulation Class:</b> .....	F2
<b>Certification:</b> .....	ETL (110V) or CE (220V)
<b>Housing Material:</b> .....	Anodized Aluminum
<b>Power Cord Length:</b> .....	16 ft. (4,8 m)
<b>Power Cord Plug Type:</b> .....	NEMA 5-15-P (110V) or CEE 7/7 (220V)
<b>Noise Level:</b> .....	88 dBa
<b>Low Voltage Release:</b> .....	<b>SP-ENC-2 &amp; SP-ENC-2-V</b> : Yes
.....	<b>SP-ENC, SP-ENC-V, SP-ENC-2NL &amp; SP-ENC-2-VNL</b> : No
<b>Thermal Overload:</b> .....	Yes
<b>Variable Speed:</b> .....	<b>SP-ENC-V, SP-ENC-2-V, &amp; SP-ENC-2-VNL</b> : Yes
.....	<b>SP-ENC, SP-ENC-2 &amp; SP-ENC-2NL</b> : No
<b>Weight:</b> .....	13 lbs (5,9 kg)



**WARNING:** Not suitable for pumping flammable or combustible liquids or use in a hazardous duty environment.