



Engineered for transferring highly concentrated and aggressive liquids. Robust PVDF ensures excellent durability and chemical resistance against light to aggressive chemicals. Equipped with a battery powered turbine flow meter for controlling, measuring and dispensing neutral liquids, corrosive chemicals (acids & alkalis) and many other non-flammable liquids.

Technical Specifications

Package Includes:..... Motor, Pump Tube, Hose, Hand Nozzle
 Wall Bracket, Barrel Adaptor & Flow Meter

Motor Type:..... 230V, 950 W, IP54, Variable Speed Drive

Pump Tube Material:..... PVDF, Hastelloy C-276, Carbon Graphite

Immersion Length:..... 39" (1000 mm) or 47" (1200 mm)

Discharge Hose:Chemical / ATEX hose, 1,8 m, 1"(25 mm) I.D.

Hand Nozzle Material: PVDF, Viton

Flow Meter Material: PVDF, Viton, Halar, Ceramic

Flow Meter Type:.....Digital / Battery Powered Totalizer

Maximum Flow Rate:..... 61 L/min *based on water*

Maximum Viscosity: 300 cps (mPas)

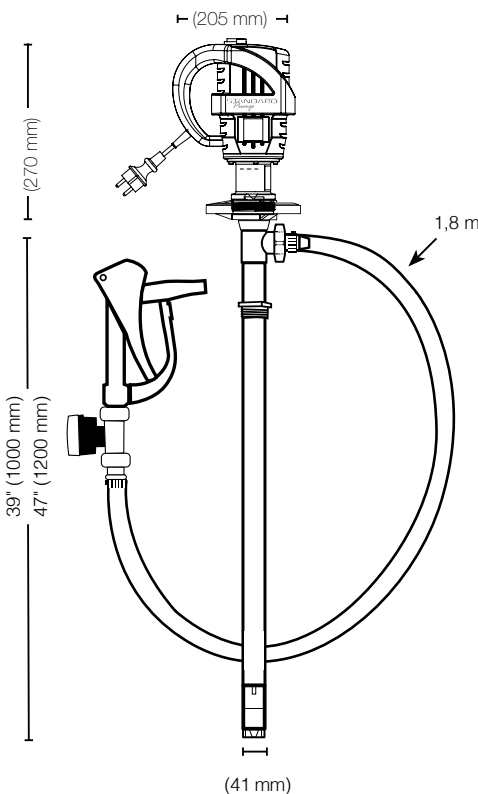
Maximum Temperature: 80° C

Shipping Weight:..... 31 lbs. (13,06 kg)



DRUM & IBC Tanks

Package P/N	Motor	Power	Pump Tube
9590	SPE-950V	950 W	SP-PVDF-39
9591	SPE-950V	950 W	SP-PVDF-47



Warning: This pump is not suitable for use with Flammable/Combustible liquids.

*Note: When pumping viscosities over 1,000 cps, pump must be used intermittently to avoid potential premature failure and/or damage.