



Common Applications

- To Be Used With Pumps
- Gravity Feed Applications
- Acetic Acid
- Nitric Acid
- Sulfuric Acid
- Sodium Hydroxide
- Hydrochloric Acid
- Ferric Chloride

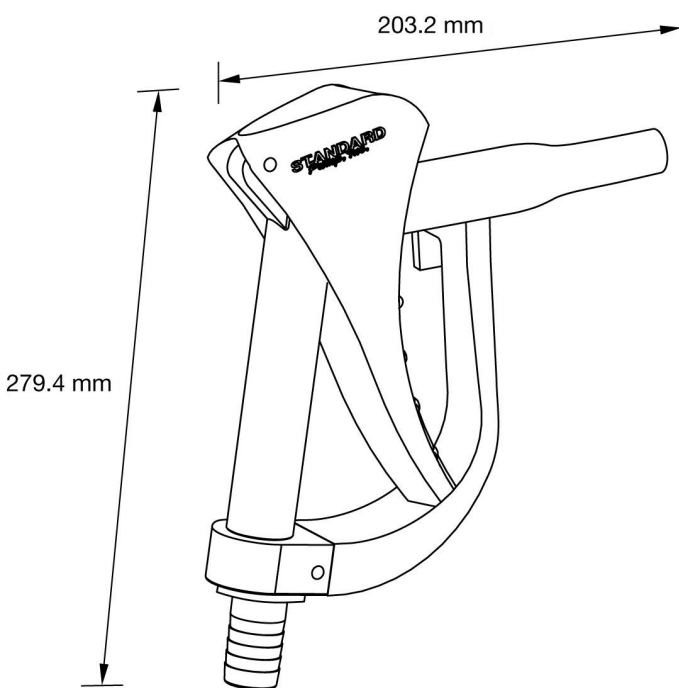
Features

- Ergonomic Design
- Swivel Hose Barb Connection
- Unique Sealing System
- Available with 3/4" (19 mm) or 1" (25 mm) Hose Barb Intake
- Mounting Hook
- Low Pressure Loss

Technical Specifications

Wetted Material:.....Polypropylene
Seal Material:.....Viton® or EPDM
Maximum Inlet Pressure:.....60 psi (4,1 bar)*
Maximum Temperature: 54° C)
Maximum Viscosity:800 cps (mPas)

**NOTE: Consult factory regarding applications that require a higher inlet pressure.*



Model	Seals	Intake
9070	Viton®	1" (25 mm) Hose Barb
9070E	EPDM	1" (25 mm) Hose Barb
9071	Viton®	3/4" (19 mm) Hose Barb
9071E	EPDM	3/4" (19 mm) Hose Barb

⚠ WARNING: Prior to use, confirm chemical compatibility with the hand nozzles wetted material and seal material.