



KITS



PUMPS



METERS



METERED NOZZLES



NOZZLES



WASTE OIL EQUIPMENTS

VISCOMAT VANE

FEATURES

- ADJUSTABLE BYPASS
- MULTI-PURPOSE PUMP
- SUITABLE TO TRANSFER WASTE OILS

The PIUSI VISCOMAT VANE is an electric vane pump suitable for transferring low viscosity fluids. The pump is equipped with a built-in adjustable bypass.

PERFORMANCE

UP TO
50 L/MIN

FLOW RATE

UP TO
500
CST

VISCOSITY

BELOW
77 DB

NOISE LEVEL*

AC
VOLTAGE

POWER



VISCOMAT VANE



PACKAGING

| CODE | WEIGHT | | PACKAGING | | | | |
|--------------------|--------|------|-------------|------|------------|---------|---|
| | KG | LBS | MM | INCH | PCS/PALLET | PCS/BOX | |
| VISCOMAT 70 | | | | | | | |
| FO033490A | 14,15 | 31,1 | 355X185X285 | - | 60 | 72 | 1 |
| FO033190A | 14,15 | 31,1 | 350X200X280 | - | 60 | 72 | 1 |
| VISCOMAT 90 | | | | | | | |
| FO0303MOO | 14,15 | 31,1 | 350X200X280 | - | 60 | 72 | 1 |
| OO0303000 | 14,15 | 31,1 | 350X200X280 | - | 60 | 72 | 1 |

THE ELECTRIC MOTOR IS EXEMPTED FROM ENERGY EFFICIENCY REGULATION (EU) 2019/1781 IN ACCORDANCE TO ARTICLE 2(2)(A).



FILTRATION



FLUID MONITORING



TANK MONITORING



HOSE REELS



ACCESSORIES



MERCHANDISE



AIR



ANTIFREEZE



AdBlue®



BIODIESEL



DIESEL



FOOD



GASOLINE



GREASE



KEROSENE



OIL

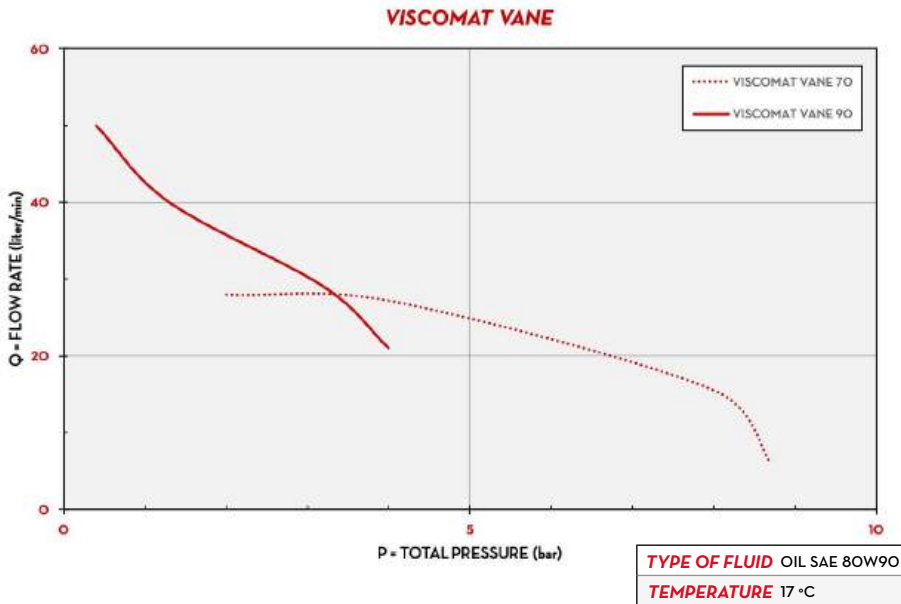


WATER

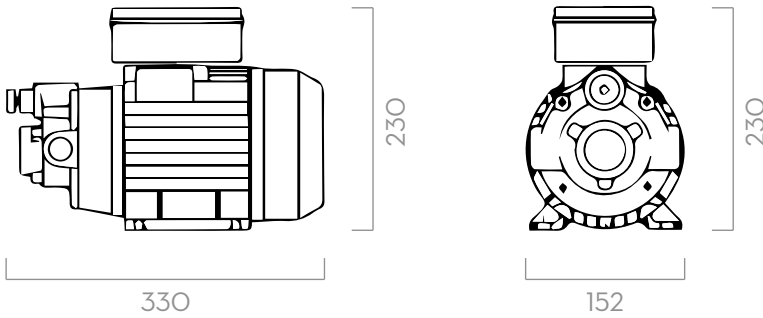


WINDSCREEN

CHART



DIMENSIONS



Dimensions expressed in millimeters

TECHNICAL DATA

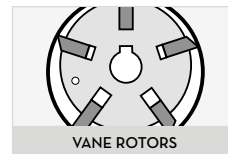
| CODE | DESCRIPTION | FLUIDS TYPE | FLOW RATE | | WORKING PRESSURE | | VOLTAGE | | | | RPM | INLET OUTLET BSP | BYPASS VALVE |
|--------------------|---------------------------|-------------|-----------|-----|------------------|-----|------------------------|-----------------------|------------|----------|-----------|------------------|--------------|
| | | | L/MIN | GPM | BAR | PSI | SINGLEPHASE MOTOR V/Hz | THREEPHASE MOTOR V/Hz | POWER WATT | AMP. MAX | | | |
| VISCOMAT 70 | | | | | | | | | | | | | |
| FO033490A | VISCOMAT 70 M. 230/50/60 | | 25 | 7 | 6 | 85 | 230/50/60 | - | 1200/1000 | 5,5-5,1 | 1470/1650 | 1" BSP | YES |
| FO033190A | VISCOMAT 70 T. 400/50/60 | | 25 | 7 | 6 | 85 | - | 400/50 - 460/60 | 650/1000 | 2,2/3,1 | 1470/1750 | 1" BSP | YES |
| VISCOMAT 90 | | | | | | | | | | | | | |
| FO0303M00 | VISCOMAT 90 M. 230/50/60* | | 50 | 13 | 5 | 71 | 230/50/60 | - | 1350/1600 | 6,2/4,9 | 1400/1600 | 1" BSP | NO |
| 000303000 | VISCOMAT 90 T. 400/50 | | 50 | 13 | 5 | 71 | - | 400/50 | 2000 | 5 | 1450 | 1" BSP | YES |

UPON REQUEST IT IS AVAILABLE WITH DIFFERENT VOLTAGE AND FREQUENCY - (*) WITHOUT ADJUSTABLE BYPASS VALVE

IN THE BOX

- VISCOMAT VANE PUMP
- INSTRUCTION MANUAL

DETAILS



MATERIALS

- BODY: CAST IRON
- ROTOR: SINTERED STEEL
- VANES: TECHNOPOLYMER
- SHAFT: STEEL