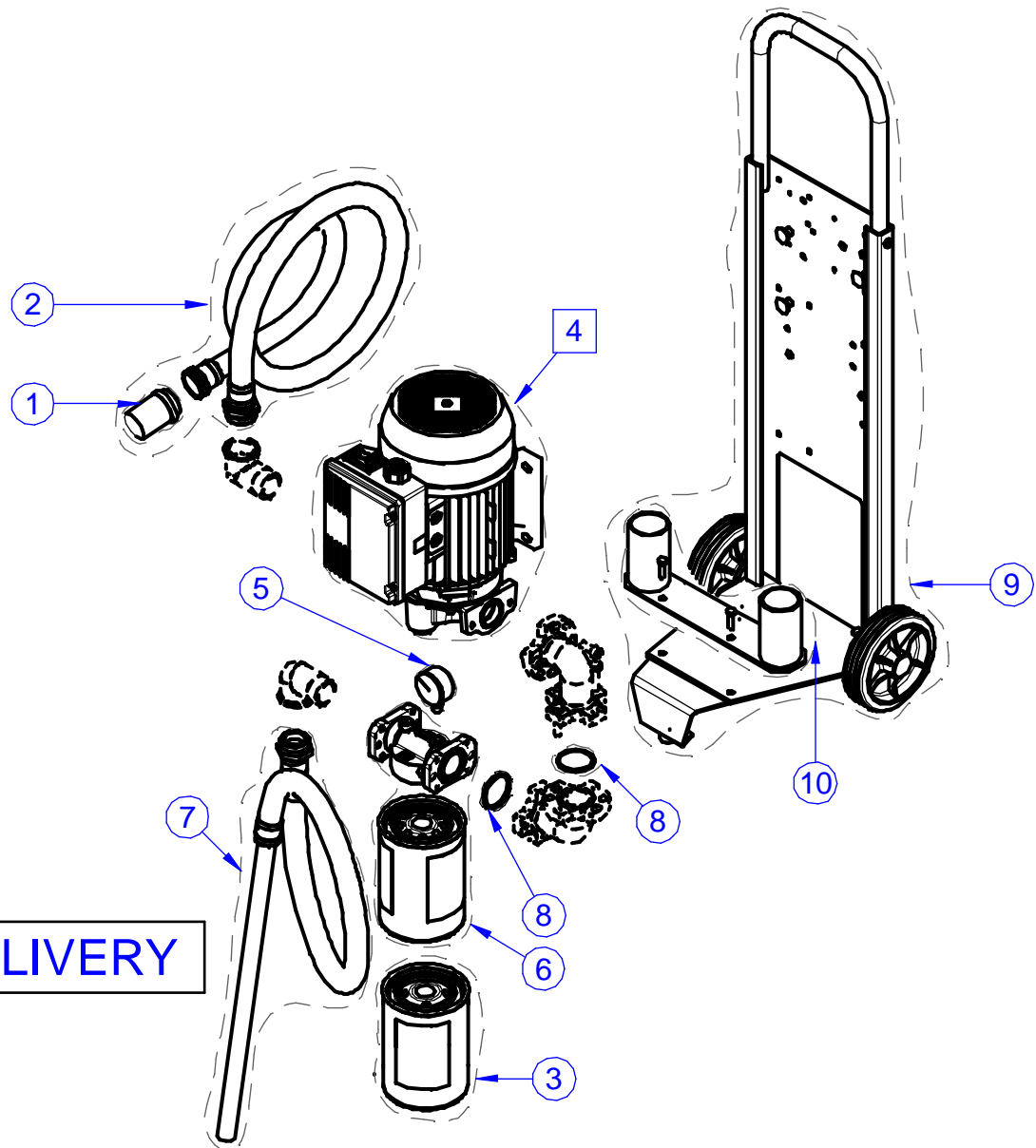




SUCTION

DELIVERY



Some components may vary in shape and color or not be present. Always follow codes and quantity shown in list. ○ fixed components □ variable components - - - only reference

Ersatzteil

F07979000	1	INOX FILTER for VALVE 1" G*
R14018000	9002	KIT SPIRAL HOSE 2MT D.20 1"X3/4**
F00611000	3	FUEL&OIL FILTER CARTRIGE 10 MICRON 3/4**
 000334900	9004	OIL VISCOMAT 70 M*
R1473300A	5	PRESSURE GAUGE DN40 DEPUROIL*
F14735000	9006	HEAD DEPUROIL+CARTRIDGE+REDUCTIONS*
R14019000	9007	KIT DELIVERY HOSE DEPUROIL*
F1401800B	2	KIT SPYRAL HOSE D.20 1" X 1" 2 mt*
 F0033490A	4	VISCOMAT 70 230V 50/60Hz*
F1473500A	6	HEAD DEPUROIL+CARTRIDGE*
R1401900A	7	KIT DELIVERY HOSE DEPUROIL*
R13426000	8	KIT NR. 10 pcs GASKET OR 3156 OVAL SHAPE*
F1446600A	9	KIT TROLLEY DEPUROIL*
R07650000	10	BASE DEPUROIL*